

# DRU04

**SWL - 350kg**

SLIDING MECHANISM TO ALLOW FOR A VARIETY OF DRUM DIAMETERS (350MM TO 610MM) 720MM GAP BETWEEN FORKS

DRUM ROTATOR SECURED TO CARRIAGE USING A CHAIN

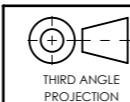
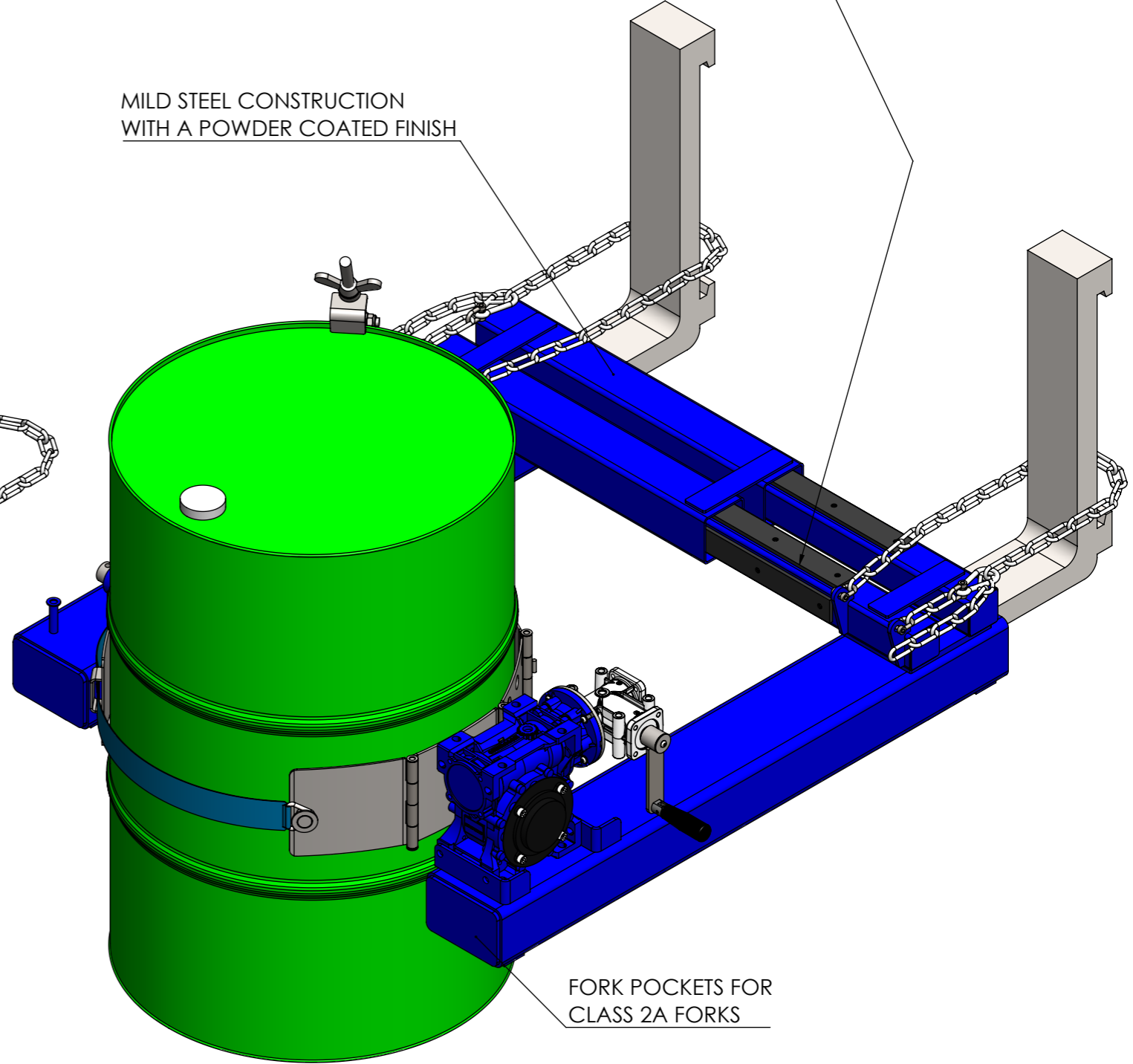
RIM CLAMP SECURING DEVICE

MILD STEEL CONSTRUCTION WITH A POWDER COATED FINISH

DRU01 STAINLESS STEEL UNIVERSAL ROTATOR HEAD

ALUMINIUM GEARBOX WITH MANUAL ROTATION

FORK POCKETS FOR CLASS 2A FORKS



ALL DIMENSIONS IN mm U.O.S  
DO NOT SCALE

DESCRIPTION:  
DRUM ROTATOR, DRU04, MILD STEEL, 350KG SWL

SHEET NO: 1 OF 6

DRAWN BY: JC

SHEET SIZE: A3



BESPOKE HANDLING EQUIPMENT LTD  
LEEDSTOWN, CORNWALL, TR27 6DS  
TEL: +44 1736 85 10 50 FAX: +44 1736 85 10 23  
E-MAIL: SALES@STN-TROLLEYS.CO.UK  
WWW: HTTPS://WWW.STN-TROLLEYS.CO.UK

CUSTOMER APPROVAL:

NAME: .....

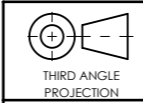
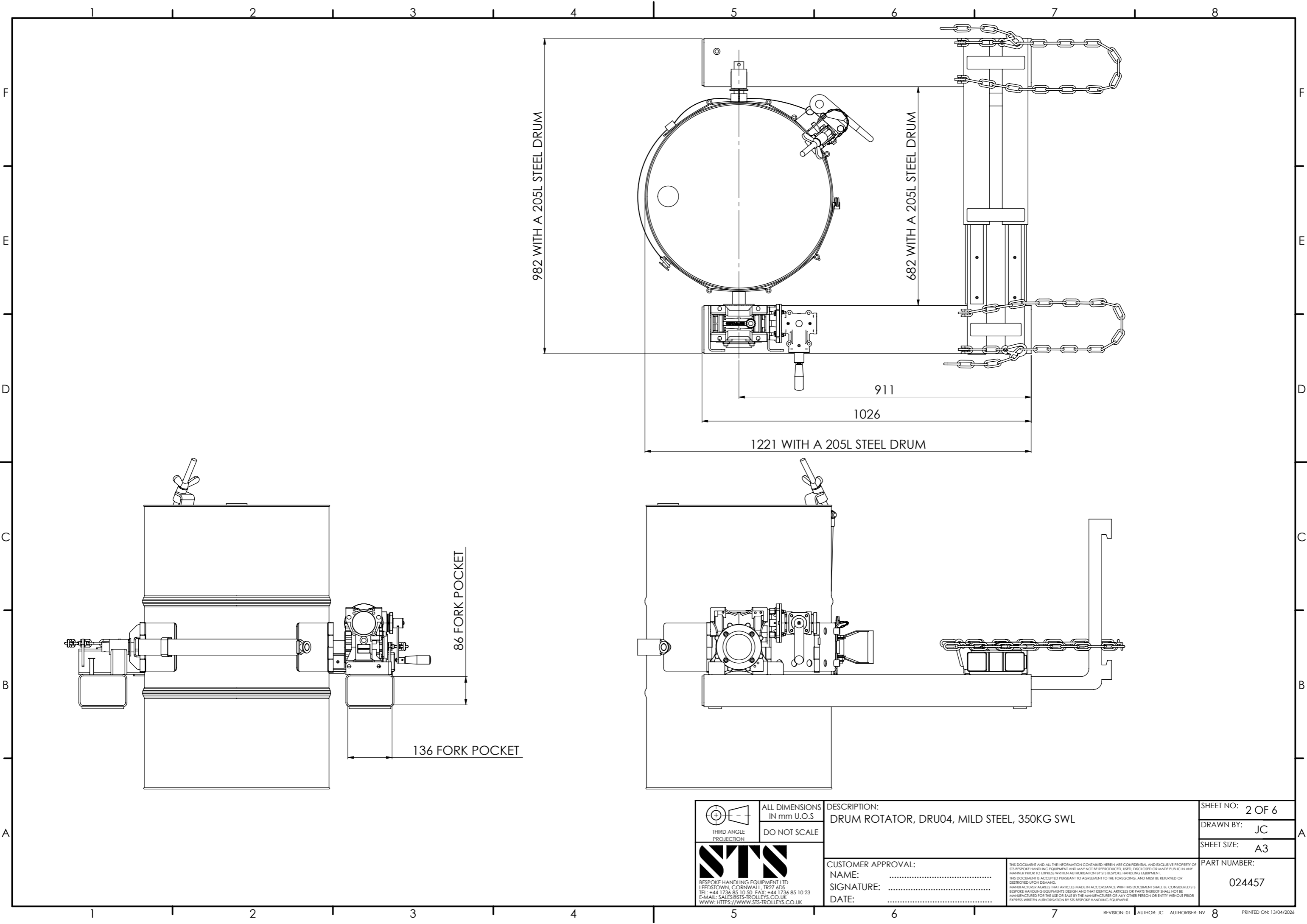
SIGNATURE: .....

DATE: .....

THIS DOCUMENT AND ALL THE INFORMATION CONTAINED HEREIN ARE CONFIDENTIAL AND EXCLUSIVE PROPERTY OF STS BESPOKE HANDLING EQUIPMENT AND MAY NOT BE REPRODUCED, USED, DISCLOSED OR MADE PUBLIC IN ANY MANNER PRIOR TO EXPRESS WRITTEN AUTHORIZATION BY STS BESPOKE HANDLING EQUIPMENT.  
THIS DOCUMENT IS ACCEPTED PURSUANT TO AGREEMENT TO THE FOREGOING, AND MUST BE RETURNED OR DESTROYED UPON DEMAND.  
MANUFACTURER AGREES THAT ARTICLES MADE IN ACCORDANCE WITH THIS DOCUMENT SHALL BE CONSIDERED STS BESPOKE HANDLING EQUIPMENT'S DESIGN AND THAT IDENTICAL ARTICLES OR PARTS THEREOF SHALL NOT BE MANUFACTURED FOR THE USE OR SALE BY THE MANUFACTURER OR ANY OTHER PERSON OR ENTITY WITHOUT PRIOR EXPRESS WRITTEN AUTHORIZATION BY STS BESPOKE HANDLING EQUIPMENT.

PART NUMBER:

024457



THIRD ANGLE PROJECTION

ALL DIMENSIONS IN mm U.O.S  
DO NOT SCALE



BESPOKE HANDLING EQUIPMENT LTD  
LEEDSTOWN, CORNWALL, TR27 6DS  
TEL: +44 1736 85 10 50 FAX: +44 1736 85 10 23  
E-MAIL: SALES@STIS-TROLLEYS.CO.UK  
WWW: HTTPS://WWW.STIS-TROLLEYS.CO.UK

DESCRIPTION:  
DRUM ROTATOR, DRU04, MILD STEEL, 350KG SWL

CUSTOMER APPROVAL:  
NAME: .....  
SIGNATURE: .....  
DATE: .....

THIS DOCUMENT AND ALL THE INFORMATION CONTAINED HEREIN ARE CONFIDENTIAL AND EXCLUSIVE PROPERTY OF STS BESPOKE HANDLING EQUIPMENT AND MAY NOT BE REPRODUCED, USED, DISCLOSED OR MADE PUBLIC IN ANY MANNER PRIOR TO EXPRESS WRITTEN AUTHORIZATION BY STS BESPOKE HANDLING EQUIPMENT.  
THIS DOCUMENT IS ACCEPTED PURSUANT TO AGREEMENT TO THE FOREGOING, AND MUST BE RETURNED OR DESTROYED UPON DEMAND.  
MANUFACTURER AGREES THAT ARTICLES MADE IN ACCORDANCE WITH THIS DOCUMENT SHALL BE CONSIDERED STS BESPOKE HANDLING EQUIPMENT'S DESIGN AND THAT IDENTICAL ARTICLES OR PARTS THEREOF SHALL NOT BE MANUFACTURED FOR THE USE OR SALE BY THE MANUFACTURER OR ANY OTHER PERSON OR ENTITY WITHOUT PRIOR EXPRESS WRITTEN AUTHORIZATION BY STS BESPOKE HANDLING EQUIPMENT.

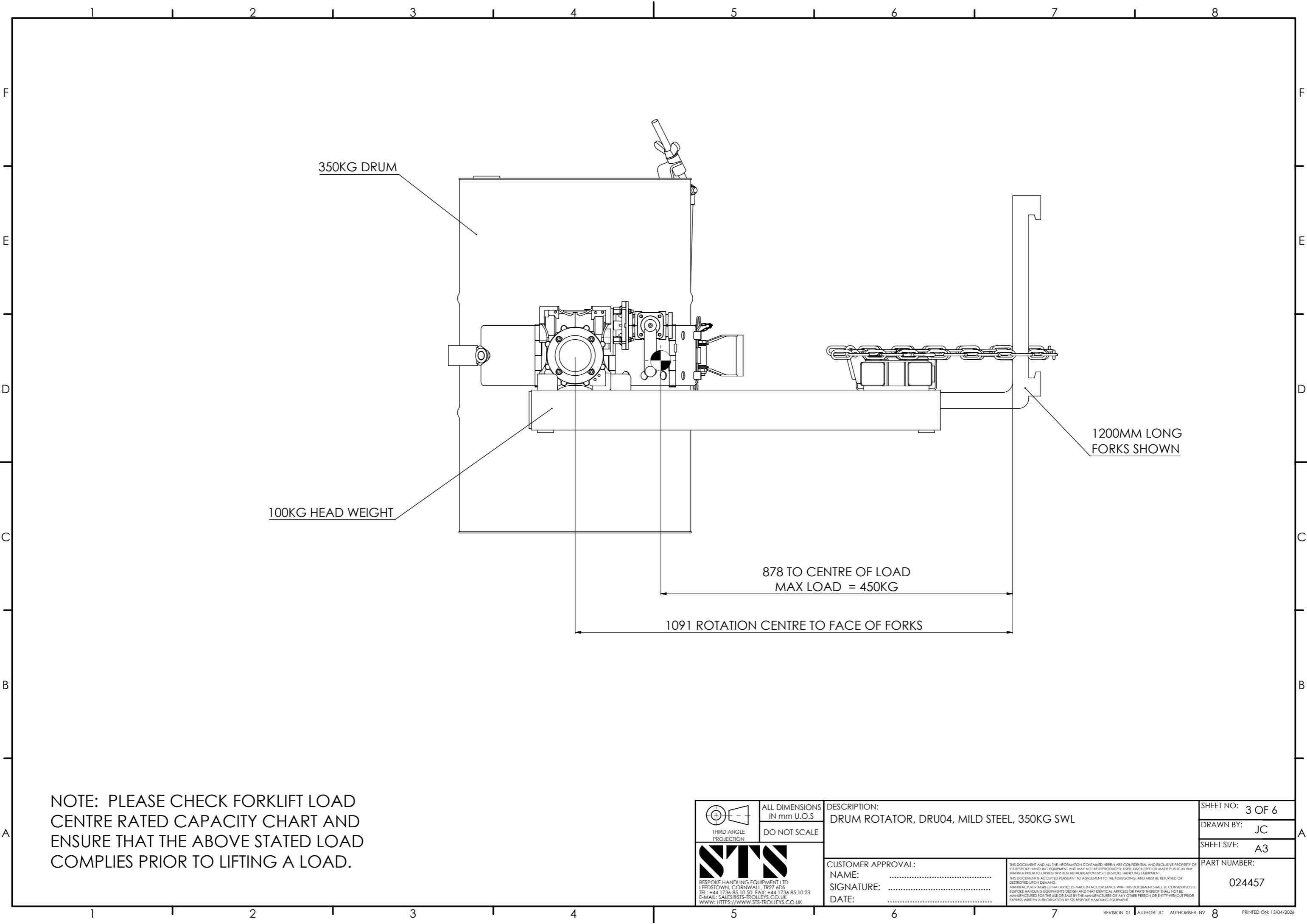
SHEET NO: 2 OF 6

DRAWN BY: JC

SHEET SIZE: A3

PART NUMBER:

024457



350KG DRUM

100KG HEAD WEIGHT

1200MM LONG  
FORKS SHOWN

878 TO CENTRE OF LOAD  
MAX LOAD = 450KG

1091 ROTATION CENTRE TO FACE OF FORKS

NOTE: PLEASE CHECK FORKLIFT LOAD CENTRE RATED CAPACITY CHART AND ENSURE THAT THE ABOVE STATED LOAD COMPLIES PRIOR TO LIFTING A LOAD.

THIRD ANGLE PROJECTION

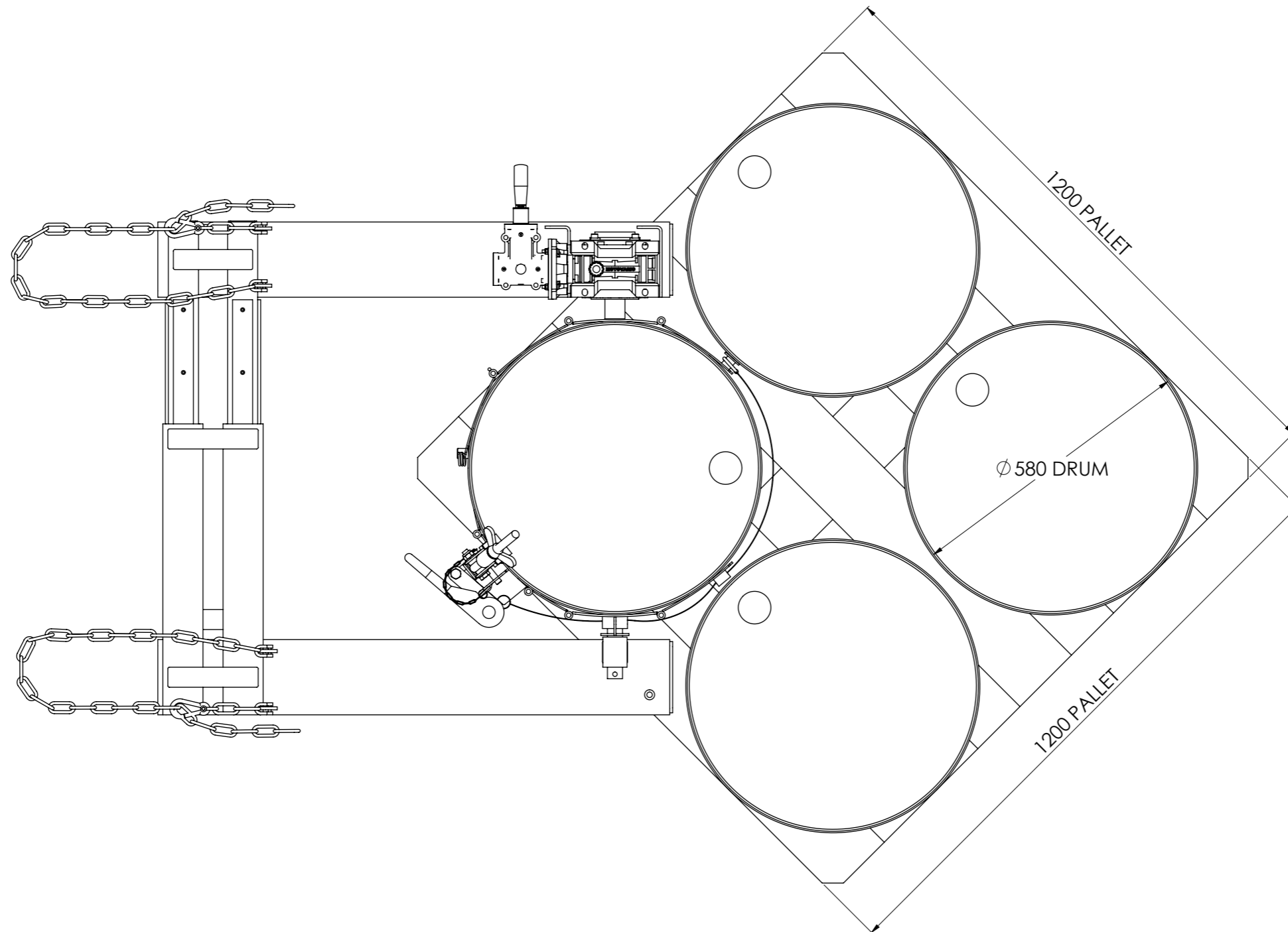
ALL DIMENSIONS IN mm U.O.S  
DO NOT SCALE

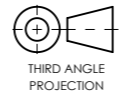

BESPOKE HANDLING EQUIPMENT LTD  
LEEDSTOWN, CORNWALL, TR27 6DS  
TEL: +44 1736 85 10 50 FAX: +44 1736 85 10 23  
E-MAIL: SALES@STN-TROLLEYS.CO.UK  
WWW: HTTPS://WWW.STN-TROLLEYS.CO.UK

|  |   |
|--|---|
| DESCRIPTION:<br>DRUM ROTATOR, DRU04, MILD STEEL, 350KG SWL           | THIS DOCUMENT AND ALL THE INFORMATION CONTAINED HEREIN ARE CONFIDENTIAL AND EXCLUSIVE PROPERTY OF STN BESPOKE HANDLING EQUIPMENT AND MAY NOT BE REPRODUCED, USED, DISCLOSED OR MADE PUBLIC IN ANY MANNER PRIOR TO EXPRESS WRITTEN AUTHORIZATION BY STN BESPOKE HANDLING EQUIPMENT.<br>THIS DOCUMENT IS ACCEPTED PURSUANT TO AGREEMENT TO THE FOREGOING, AND MUST BE RETURNED OR DESTROYED UPON DEMAND.<br>MANUFACTURER AGREES THAT ARTICLES MADE IN ACCORDANCE WITH THIS DOCUMENT SHALL BE CONSIDERED STN BESPOKE HANDLING EQUIPMENT'S DESIGN AND THAT IDENTICAL ARTICLES OR PARTS THEREOF SHALL NOT BE MANUFACTURED FOR THE USE OR SALE BY THE MANUFACTURER OR ANY OTHER PERSON OR ENTITY WITHOUT PRIOR EXPRESS WRITTEN AUTHORIZATION BY STN BESPOKE HANDLING EQUIPMENT. |
| CUSTOMER APPROVAL:<br>NAME: .....<br>SIGNATURE: .....<br>DATE: ..... |   |

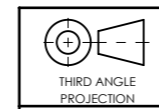
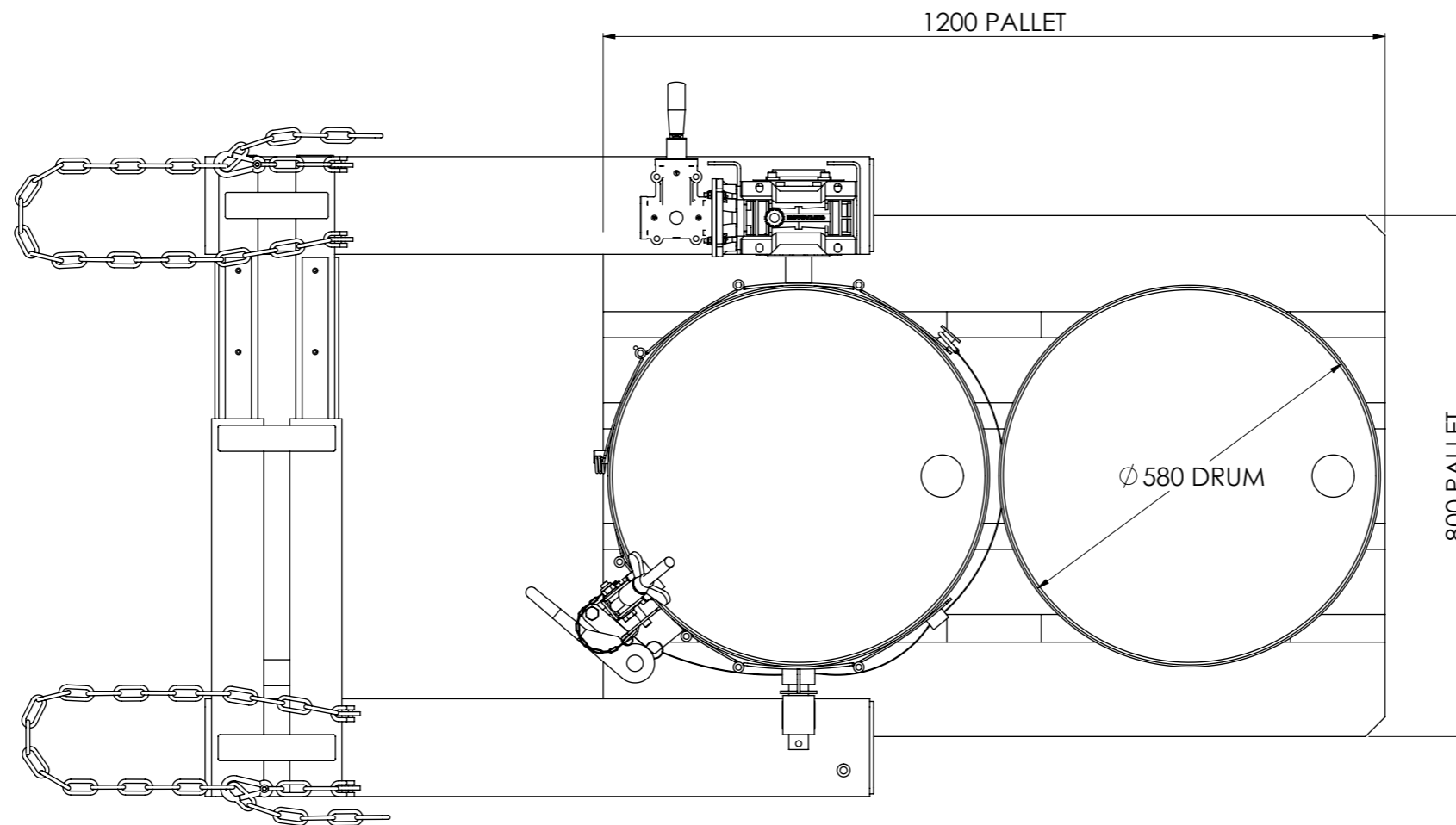
|                        |
|------------------------|
| SHEET NO: 3 OF 6       |
| DRAWN BY: JC           |
| SHEET SIZE: A3         |
| PART NUMBER:<br>024457 |

DEPALLETISING 4 X 205L DRUMS FROM A 1200MM X 1200MM PALLET USING THE STS DRUM ROTATOR



|  |                               |  |                        |
|--|-------------------------------|--|------------------------|
| <br>THIRD ANGLE<br>PROJECTION   | ALL DIMENSIONS<br>IN mm U.O.S | DESCRIPTION:<br>DRUM ROTATOR, DRU04, MILD STEEL, 350KG SWL   | SHEET NO: 4 OF 6       |
|  | DO NOT SCALE                  |  | DRAWN BY: JC           |
| <br>BESPOKE HANDLING EQUIPMENT LTD<br>LEEDSTOWN, CORNWALL, TR27 6DS<br>TEL: +44 1736 85 10 50 FAX: +44 1736 85 10 23<br>E-MAIL: SALES@STS-TROLLEYS.CO.UK<br>WWW: HTTPS://WWW.STS-TROLLEYS.CO.UK |                               | CUSTOMER APPROVAL:<br>NAME: .....<br>SIGNATURE: .....<br>DATE: .....   | SHEET SIZE: A3         |
|  |                               | <small>THIS DOCUMENT AND ALL THE INFORMATION CONTAINED HEREIN ARE CONFIDENTIAL AND EXCLUSIVE PROPERTY OF STS BESPOKE HANDLING EQUIPMENT AND MAY NOT BE REPRODUCED, USED, DISCLOSED OR MADE PUBLIC IN ANY MANNER PRIOR TO EXPRESS WRITTEN AUTHORIZATION BY STS BESPOKE HANDLING EQUIPMENT.<br/>         THIS DOCUMENT IS ACCEPTED PURSUANT TO AGREEMENT TO THE FOREGOING, AND MUST BE RETURNED OR DESTROYED UPON DEMAND.<br/>         MANUFACTURER AGREES THAT ARTICLES MADE IN ACCORDANCE WITH THIS DOCUMENT SHALL BE CONSIDERED STS BESPOKE HANDLING EQUIPMENT'S DESIGN AND THAT IDENTICAL ARTICLES OR PARTS THEREOF SHALL NOT BE MANUFACTURED FOR THE USE OR SALE BY THE MANUFACTURER OR ANY OTHER PERSON OR ENTITY WITHOUT PRIOR EXPRESS WRITTEN AUTHORIZATION BY STS BESPOKE HANDLING EQUIPMENT.</small> | PART NUMBER:<br>024457 |

DEPALLETISING 2 X 205L DRUMS FROM A 1200MM X 8000MM EURO PALLET USING THE STS DRUM ROTATOR



ALL DIMENSIONS  
IN mm U.O.S  
DO NOT SCALE

DESCRIPTION:  
DRUM ROTATOR, DRU04, MILD STEEL, 350KG SWL

SHEET NO: 5 OF 6

DRAWN BY: JC

SHEET SIZE: A3



BESPOKE HANDLING EQUIPMENT LTD  
LEEDSTOWN, CORNWALL, TR27 6DS  
TEL: +44 1736 85 10 50 FAX: +44 1736 85 10 23  
E-MAIL: SALES@STS-TROLLEYS.CO.UK  
WWW: HTTPS://WWW.STS-TROLLEYS.CO.UK

CUSTOMER APPROVAL:  
NAME: .....  
SIGNATURE: .....  
DATE: .....

THIS DOCUMENT AND ALL THE INFORMATION CONTAINED HEREIN ARE CONFIDENTIAL AND EXCLUSIVE PROPERTY OF STS BESPOKE HANDLING EQUIPMENT AND MAY NOT BE REPRODUCED, USED, DISCLOSED OR MADE PUBLIC IN ANY MANNER PRIOR TO EXPRESS WRITTEN AUTHORIZATION BY STS BESPOKE HANDLING EQUIPMENT.  
THIS DOCUMENT IS ACCEPTED PURSUANT TO AGREEMENT TO THE FOREGOING, AND MUST BE RETURNED OR DESTROYED UPON DEMAND.  
MANUFACTURER AGREES THAT ARTICLES MADE IN ACCORDANCE WITH THIS DOCUMENT SHALL BE CONSIDERED STS BESPOKE HANDLING EQUIPMENT'S DESIGN AND THAT IDENTICAL ARTICLES OR PARTS THEREOF SHALL NOT BE MANUFACTURED FOR THE USE OR SALE BY THE MANUFACTURER OR ANY OTHER PERSON OR ENTITY WITHOUT PRIOR EXPRESS WRITTEN AUTHORIZATION BY STS BESPOKE HANDLING EQUIPMENT.

PART NUMBER:  
024457