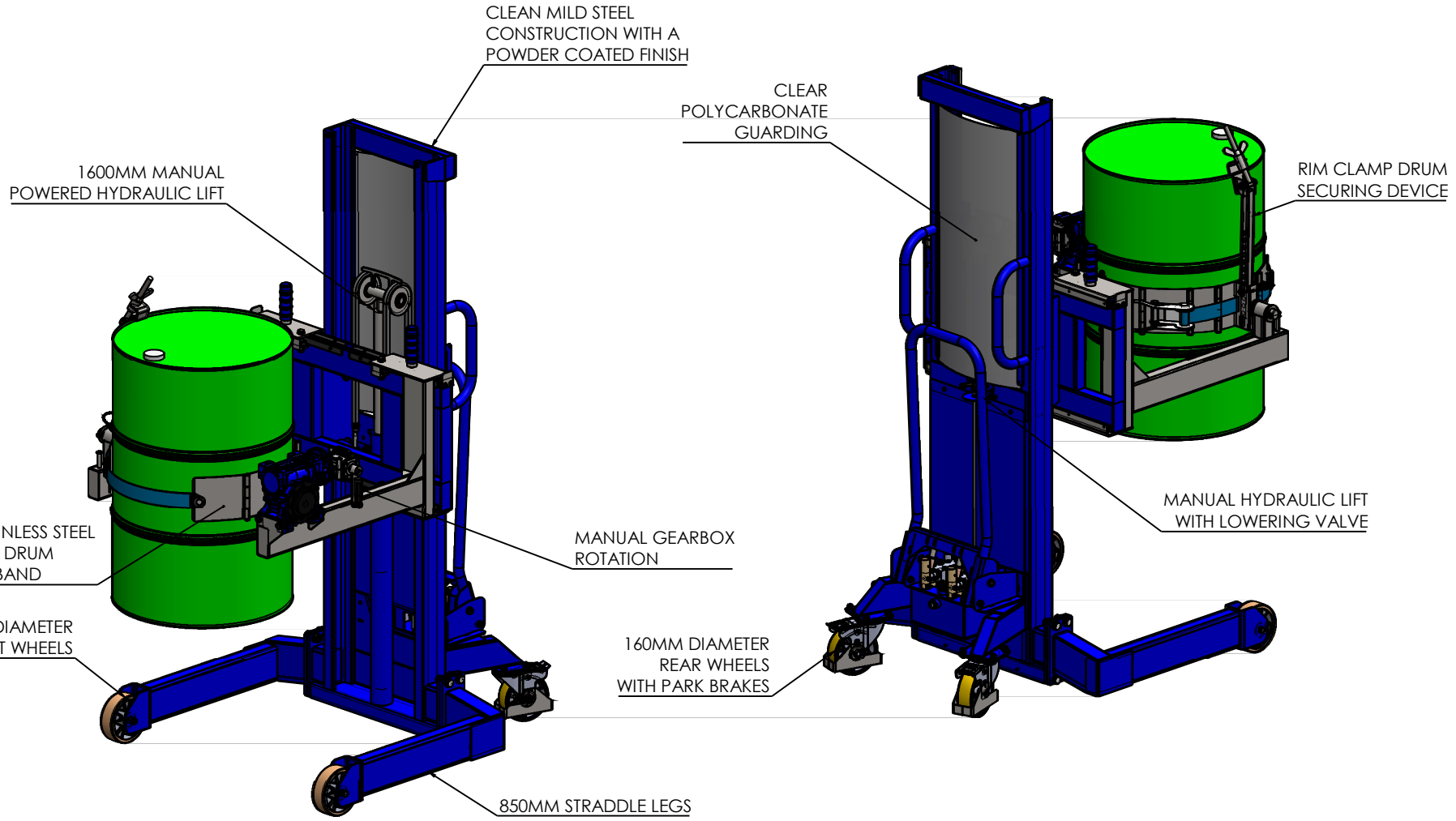


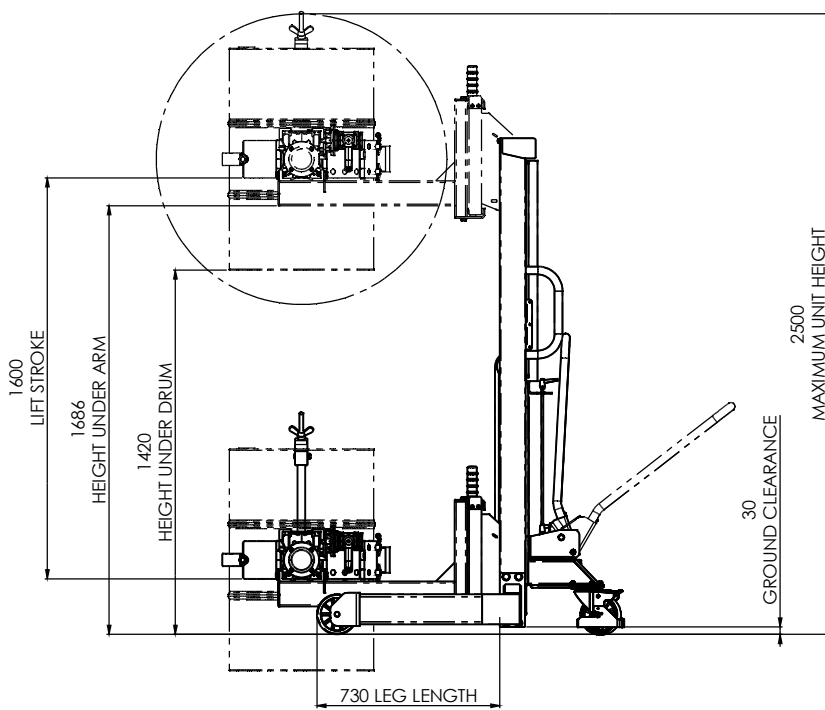
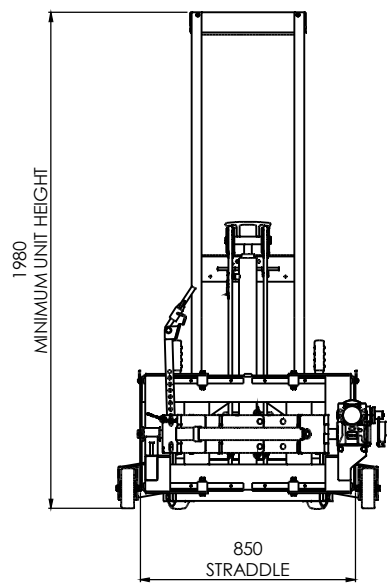
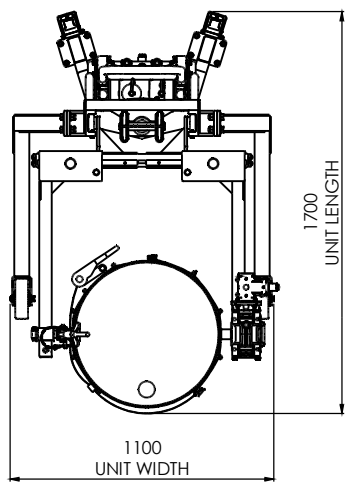


STM01-DRU01
SWL - 350KG



 THIRD ANGLE PROJECTION  RESPONSE HANDLING EQUIPMENT LTD LEEDSTOWN, CORNWALL TR27 4DS TEL: +44 1754 85 10 50 FAX: +44 1754 85 10 23 E-MAIL: SALES@STS-TROLLEY.CO.UK WWW: HTTPS://WWW.STS-TROLLEY.CO.UK	ALL DIMENSIONS IN mm U.O.S DO NOT SCALE	DESCRIPTION: STM01-DRU01, MANUAL STACKER WITH A MANUAL ROTATION UNIVERSAL DRUM CLAMP BAND	SHEET NO: 1 OF 4 DRAWN BY: JC SHEET SIZE: A3 PART NUMBER: 020049
	CUSTOMER APPROVAL: NAME: SIGNATURE: DATE:	<small>THIS DOCUMENT AND ALL THE INFORMATION CONTAINED HEREIN ARE CONFIDENTIAL AND EXCLUSIVE PROPERTY OF RESPONSE HANDLING EQUIPMENT AND MAY NOT BE REPRODUCED, USED, DISCLOSED OR MADE PUBLIC IN ANY MANNER WITHOUT THE WRITTEN PERMISSION AND AGREEMENT OF THE MANUFACTURER AND MUST BE RETURNED OR DESTROYED AS DIRECTED.</small> <small>MANUFACTURER'S ADDRESS THAT APPEARS IN THIS DOCUMENT IS IN ACCORDANCE WITH THE DOCUMENTS ISSUED BY RESPONSE HANDLING EQUIPMENT LIMITED AND THAT THESE ARTICLES OR PARTS THEREOF SHALL NOT BE MANUFACTURED FOR THE USE OR USE BY THE MANUFACTURER OR ANY OTHER PERSON OR ENTITY WITHOUT PRIOR WRITTEN PERMISSION OF THE RESPONSE HANDLING EQUIPMENT.</small>	



THIRD ANGLE PROJECTION

ALL DIMENSIONS IN mm U.O.S
DO NOT SCALE

RESPONSE HANDLING EQUIPMENT LTD
LEEDSTOWN, CORNWALL TR27 4DS
TEL: +44 1734 85 10 50, FAX: +44 1734 85 10 23
E-MAIL: SALES@STS-TROLLEY.CO.UK
WWW: HTTP://WWW.STS-TROLLEY.CO.UK

DESCRIPTION:
STM01-DRU01, MANUAL STACKER WITH A MANUAL ROTATION UNIVERSAL DRUM CLAMP BAND

CUSTOMER APPROVAL:
NAME:
SIGNATURE:
DATE:

THIS DOCUMENT AND ALL THE INFORMATION CONTAINED HEREIN ARE CONFIDENTIAL AND EXCLUSIVE PROPERTY OF RESPONSE HANDLING EQUIPMENT LTD AND MAY NOT BE REPRODUCED, USED, DISCLOSED OR MADE PUBLIC IN ANY MANNER WITHOUT THE WRITTEN PERMISSION AND SIGNATURE OF THE MANUFACTURER. ANY UNAUTHORIZED USE OF THIS DOCUMENT IS STRICTLY PROHIBITED. THE MANUFACTURER ACCEPTS NO LIABILITY FOR ANY DAMAGE OR LOSS OF PROFITS OR BUSINESS ARISING FROM THE USE OF THIS DOCUMENT OR FROM THE INFORMATION CONTAINED HEREIN. THE MANUFACTURER ACCEPTS NO LIABILITY FOR ANY DAMAGE OR LOSS OF PROFITS OR BUSINESS ARISING FROM THE USE OF THIS DOCUMENT OR FROM THE INFORMATION CONTAINED HEREIN.

SHEET NO: 2 OF 4
DRAWN BY: JC
SHEET SIZE: A3
PART NUMBER: 020049

