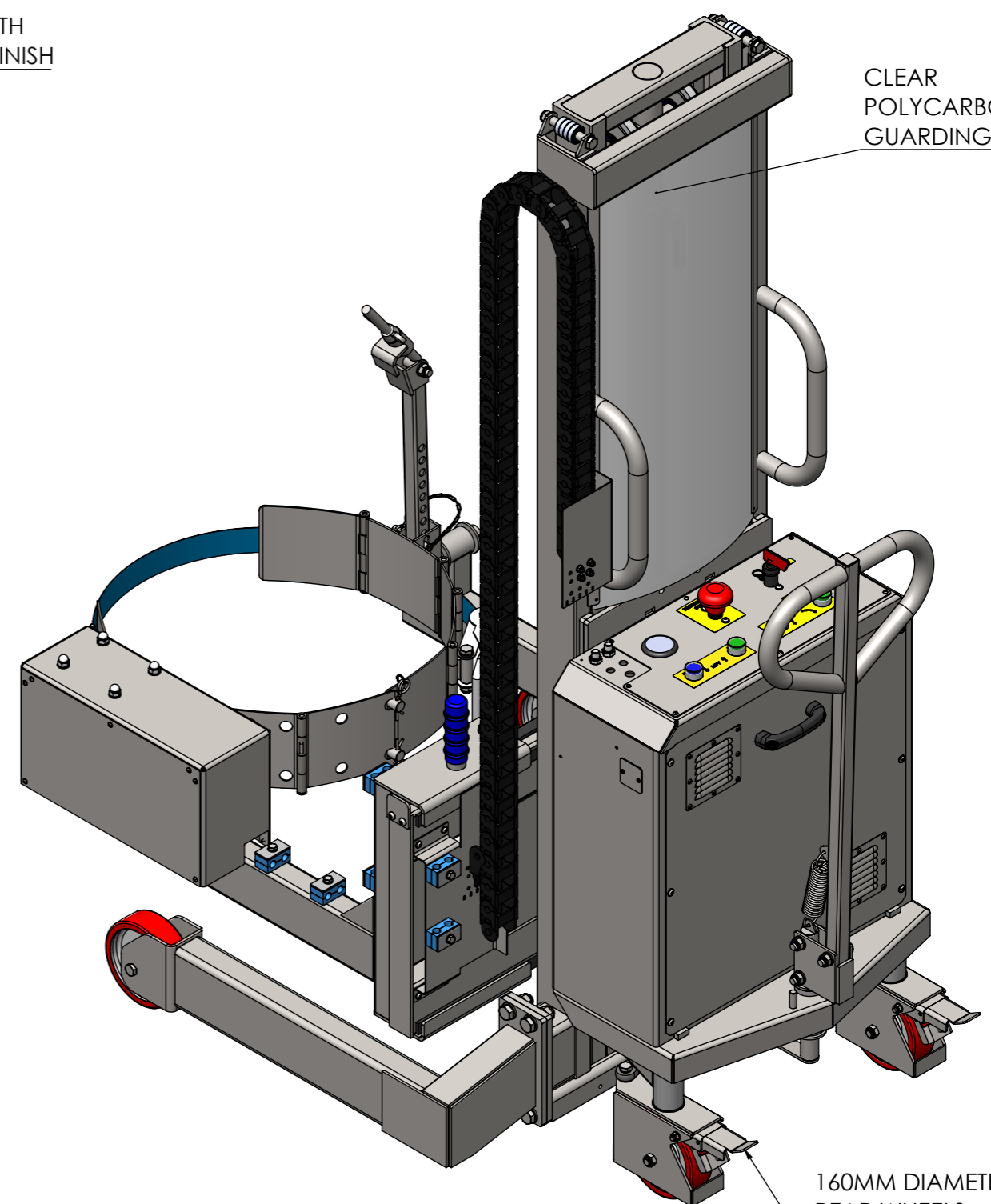
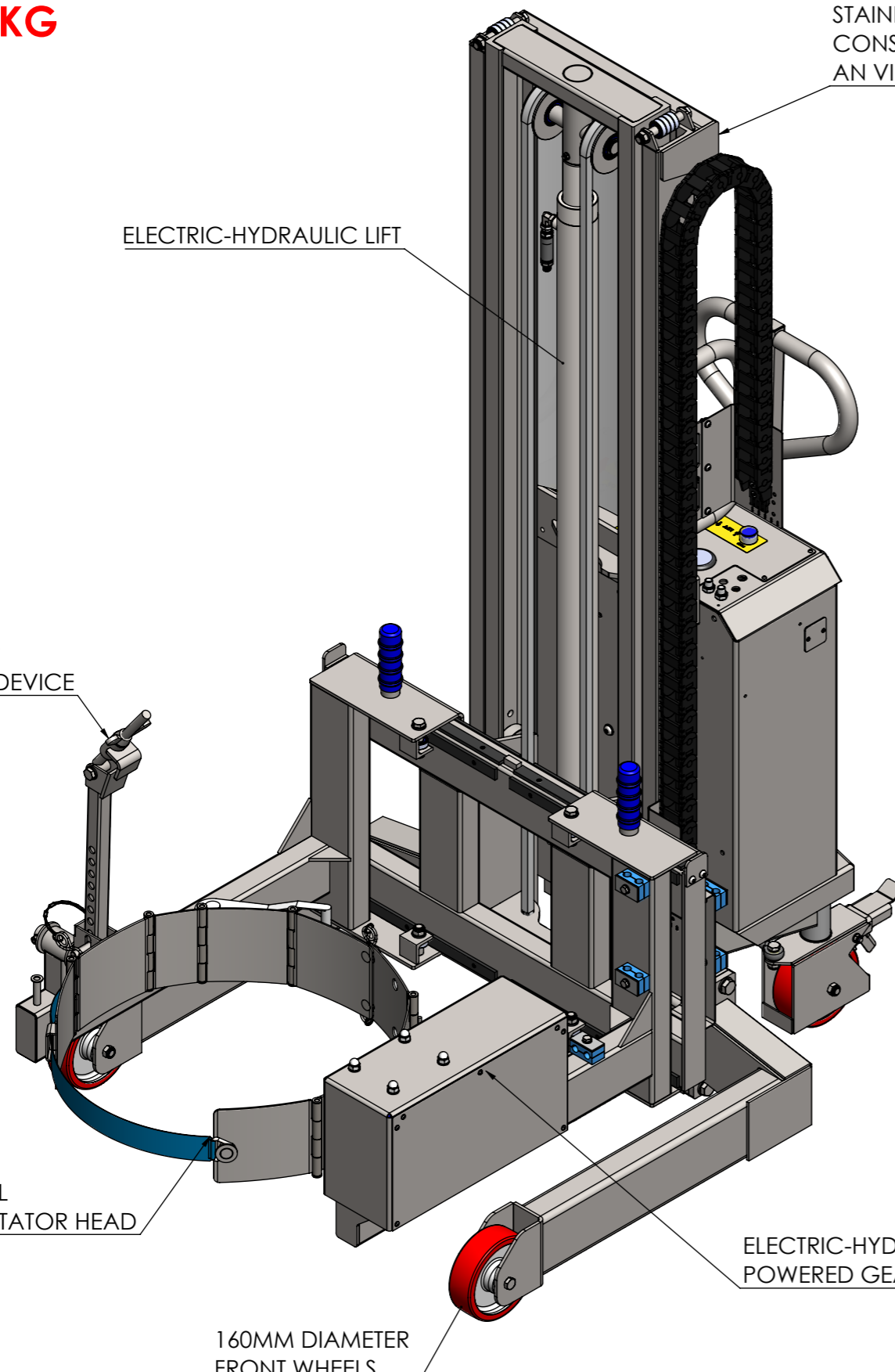
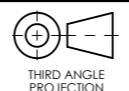

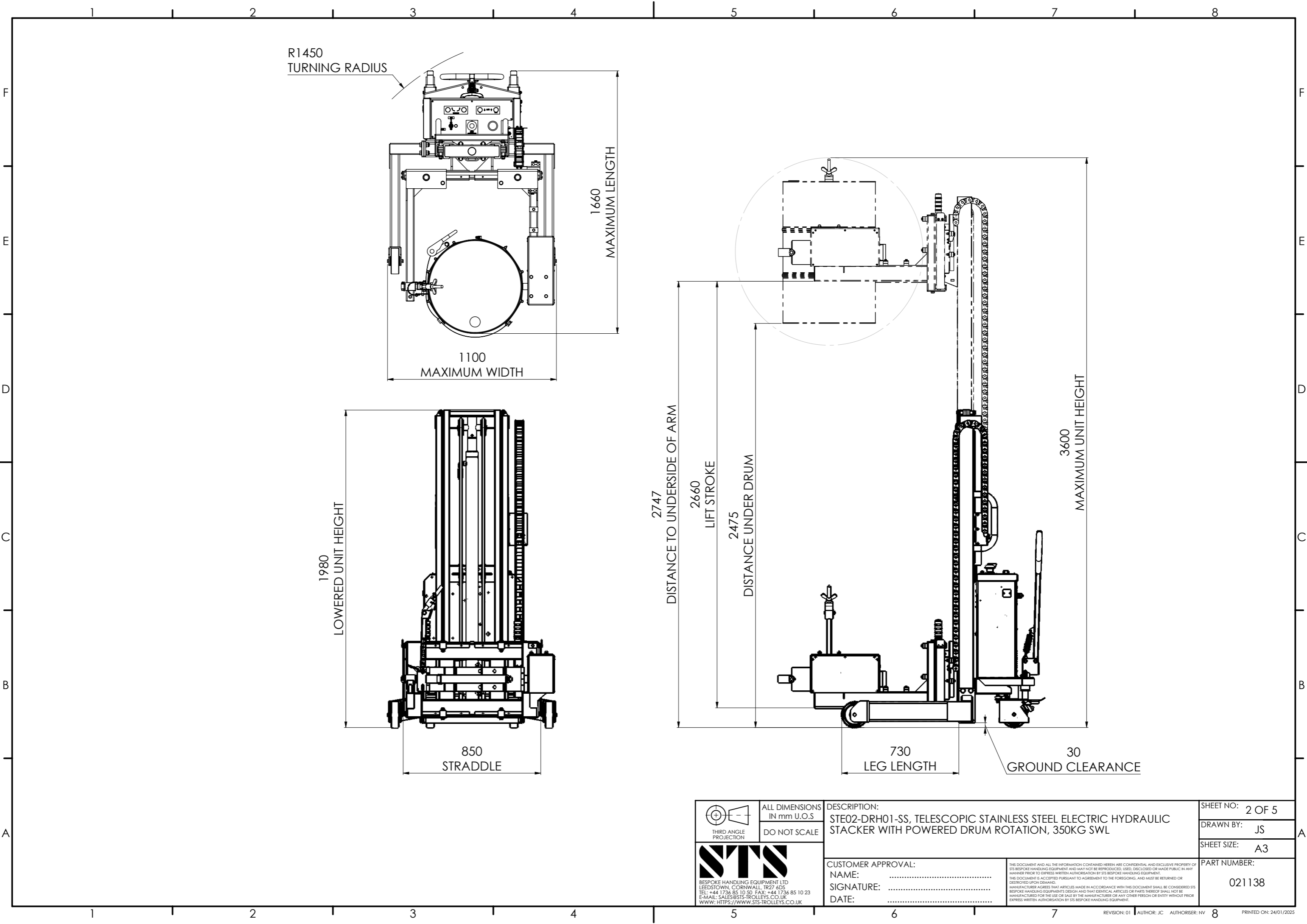


STE02-DRH01-SS
SWL: 350KG



 THIRD ANGLE PROJECTION	ALL DIMENSIONS IN mm U.O.S DO NOT SCALE	DESCRIPTION: STE02-DRH01-SS, TELESCOPIC STAINLESS STEEL ELECTRIC HYDRAULIC STACKER WITH POWERED DRUM ROTATION, 350KG SWL	SHEET NO: 1 OF 5 DRAWN BY: JS SHEET SIZE: A3
	 BESPOKE HANDLING EQUIPMENT LTD LEEDSTOWN, CORNWALL, TR27 6DS TEL: +44 1736 85 10 50 FAX: +44 1736 85 10 23 E-MAIL: SALES@STS-TROLLEYS.CO.UK WWW: HTTPS://WWW.STS-TROLLEYS.CO.UK	CUSTOMER APPROVAL: NAME: SIGNATURE: DATE:	<small>THIS DOCUMENT AND ALL THE INFORMATION CONTAINED HEREIN ARE CONFIDENTIAL AND EXCLUSIVE PROPERTY OF STS BESPOKE HANDLING EQUIPMENT AND MAY NOT BE REPRODUCED, USED, DISCLOSED OR MADE PUBLIC IN ANY MANNER PRIOR TO EXPRESS WRITTEN AUTHORIZATION BY STS BESPOKE HANDLING EQUIPMENT. THIS DOCUMENT IS ACCEPTED PURSUANT TO AGREEMENT TO THE FOREGOING, AND MUST BE RETURNED OR DESTROYED UPON DEMAND. MANUFACTURER AGREES THAT ARTICLES MADE IN ACCORDANCE WITH THIS DOCUMENT SHALL BE CONSIDERED STS BESPOKE HANDLING EQUIPMENT'S DESIGN AND THAT IDENTICAL ARTICLES OR PARTS THEREOF SHALL NOT BE MANUFACTURED FOR THE USE OR SALE BY THE MANUFACTURER OR ANY OTHER PERSON OR ENTITY WITHOUT PRIOR EXPRESS WRITTEN AUTHORIZATION BY STS BESPOKE HANDLING EQUIPMENT.</small>



R1450
TURNING RADIUS

1660
MAXIMUM LENGTH

1100
MAXIMUM WIDTH

1980
LOWERED UNIT HEIGHT

850
STRADDLE

2747
DISTANCE TO UNDERSIDE OF ARM

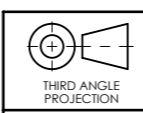
2660
LIFT STROKE

2475
DISTANCE UNDER DRUM

730
LEG LENGTH

30
GROUND CLEARANCE

3600
MAXIMUM UNIT HEIGHT



ALL DIMENSIONS
IN mm U.O.S
DO NOT SCALE



DESCRIPTION:
STE02-DRH01-SS, TELESCOPIC STAINLESS STEEL ELECTRIC HYDRAULIC
STACKER WITH POWERED DRUM ROTATION, 350KG SWL

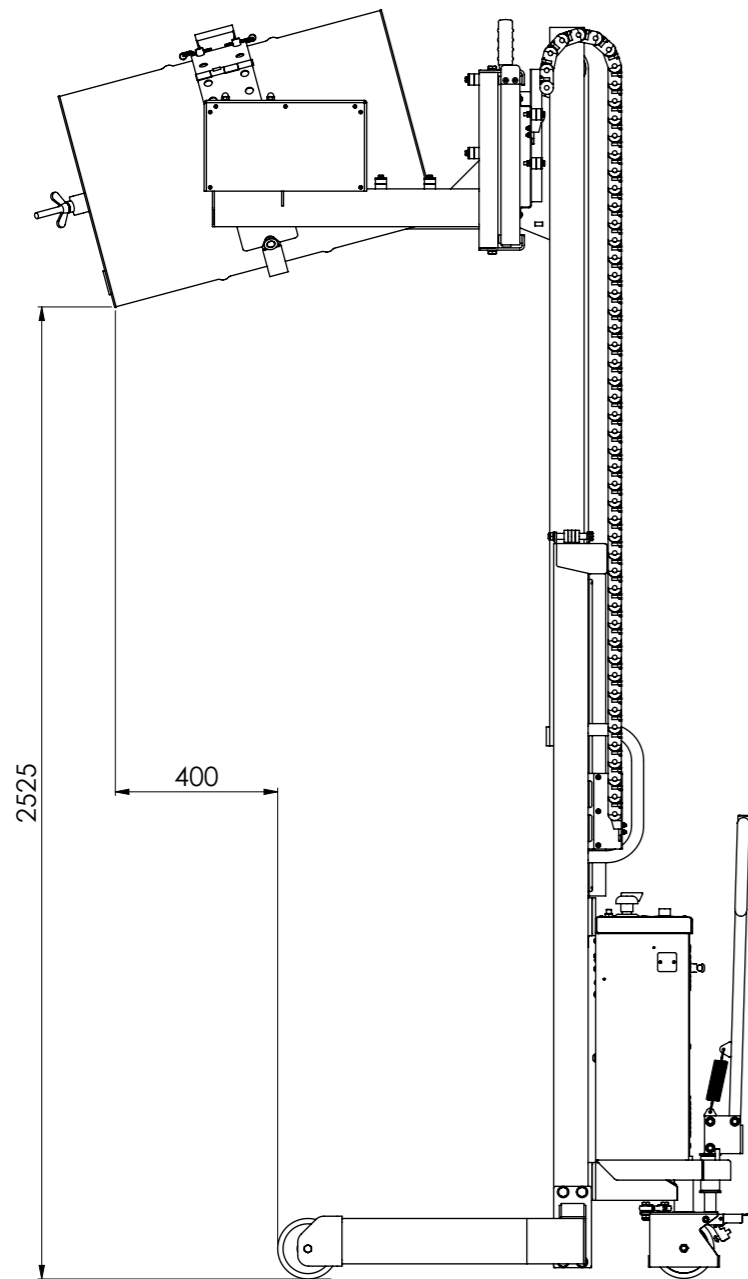
CUSTOMER APPROVAL:
NAME:
SIGNATURE:
DATE:

THIS DOCUMENT AND ALL THE INFORMATION CONTAINED HEREIN ARE CONFIDENTIAL AND EXCLUSIVE PROPERTY OF STS BESPOKE HANDLING EQUIPMENT AND MAY NOT BE REPRODUCED, USED, DISCLOSED OR MADE PUBLIC IN ANY MANNER PRIOR TO EXPRESS WRITTEN AUTHORIZATION BY STS BESPOKE HANDLING EQUIPMENT.
THIS DOCUMENT IS ACCEPTED PURSUANT TO AGREEMENT TO THE FOREGOING, AND MUST BE RETURNED OR DESTROYED UPON DEMAND.
MANUFACTURER AGREES THAT ARTICLES MADE IN ACCORDANCE WITH THIS DOCUMENT SHALL BE CONSIDERED STS BESPOKE HANDLING EQUIPMENT'S DESIGN AND THAT IDENTICAL ARTICLES OR PARTS THEREOF SHALL NOT BE MANUFACTURED FOR THE USE OR SALE BY THE MANUFACTURER OR ANY OTHER PERSON OR ENTITY WITHOUT PRIOR EXPRESS WRITTEN AUTHORIZATION BY STS BESPOKE HANDLING EQUIPMENT.

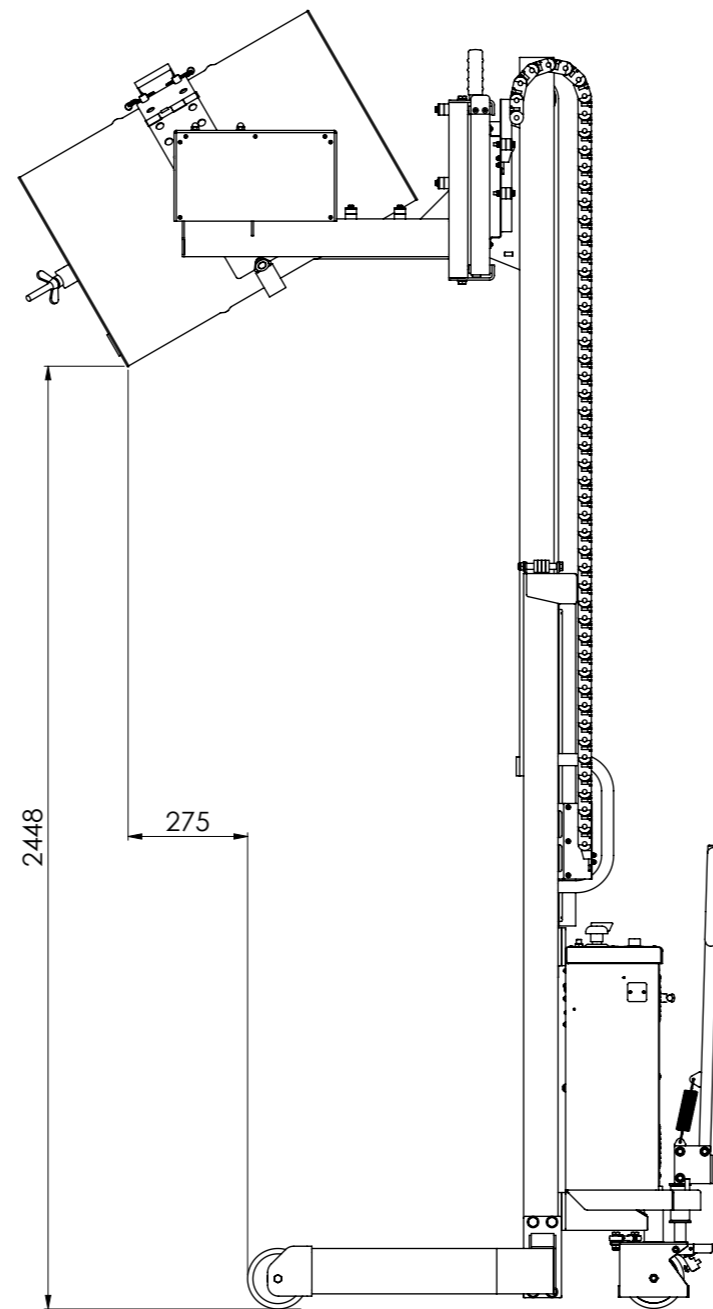
SHEET NO: 2 OF 5
DRAWN BY: JS
SHEET SIZE: A3

PART NUMBER:
021138

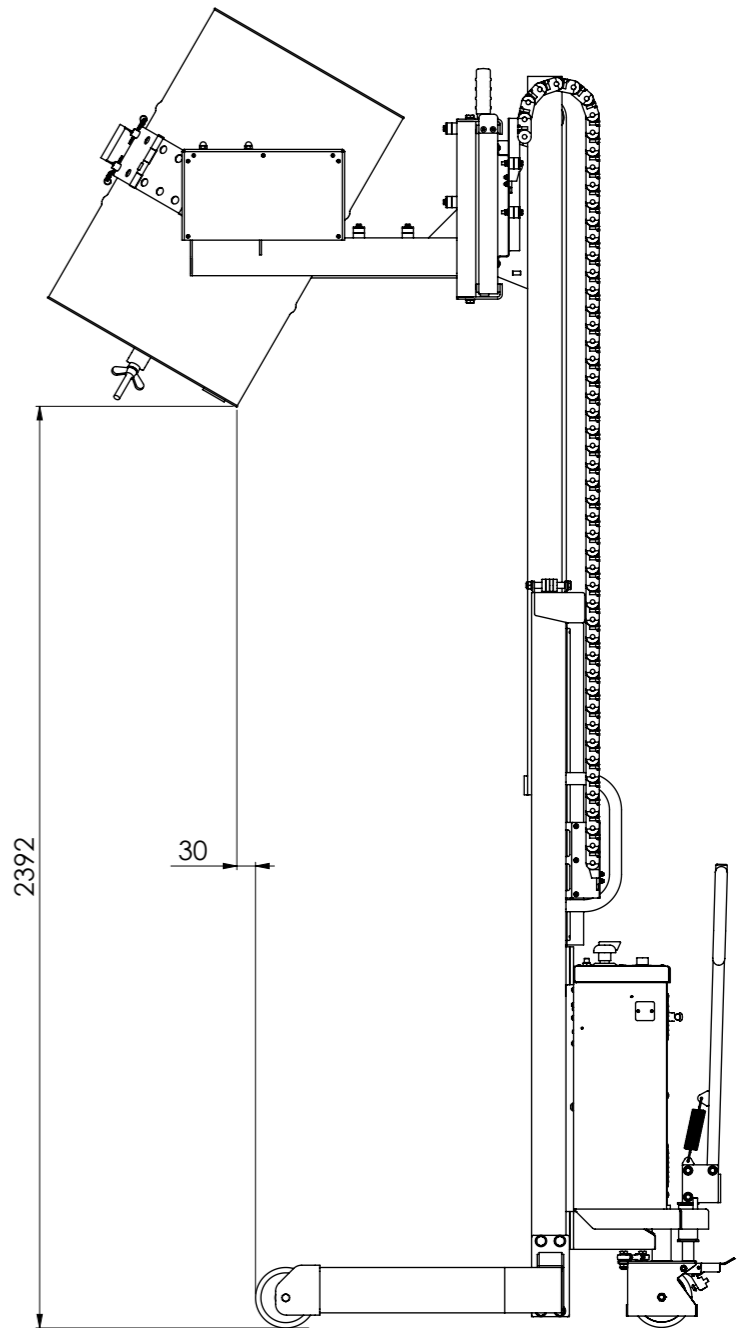
TIPPING HEIGHTS



TIP OF 15°

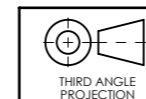


TIP OF 30°



TIP OF 60°

NOTE: STANDARD 205L STEEL DRUM USED FOR TIPPING DIMENSIONS. TIPPING HEIGHT WILL VARY FOR OTHER SIZED DRUMS



THIRD ANGLE PROJECTION

ALL DIMENSIONS IN mm U.O.S
DO NOT SCALE



BESPOKE HANDLING EQUIPMENT LTD
LEEDSTOWN, CORNWALL, TR27 4DS
TEL: +44 1736 85 10 50 FAX: +44 1736 85 10 23
E-MAIL: SALES@STS-TROLLEYS.CO.UK
WWW: HTTPS://WWW.STS-TROLLEYS.CO.UK

DESCRIPTION:

STE02-DRH01-SS, TELESCOPIC STAINLESS STEEL ELECTRIC HYDRAULIC STACKER WITH POWERED DRUM ROTATION, 350KG SWL

CUSTOMER APPROVAL:

NAME:
SIGNATURE:
DATE:

THIS DOCUMENT AND ALL THE INFORMATION CONTAINED HEREIN ARE CONFIDENTIAL AND EXCLUSIVE PROPERTY OF STS BESPOKE HANDLING EQUIPMENT AND MAY NOT BE REPRODUCED, USED, DISCLOSED OR MADE PUBLIC IN ANY MANNER PRIOR TO EXPRESS WRITTEN AUTHORIZATION BY STS BESPOKE HANDLING EQUIPMENT.
THIS DOCUMENT IS ACCEPTED PURSUANT TO AGREEMENT TO THE FOREGOING, AND MUST BE RETURNED OR DESTROYED UPON DEMAND.
MANUFACTURER AGREES THAT ARTICLES MADE IN ACCORDANCE WITH THIS DOCUMENT SHALL BE CONSIDERED STS BESPOKE HANDLING EQUIPMENT'S DESIGN AND THAT IDENTICAL ARTICLES OR PARTS THEREOF SHALL NOT BE MANUFACTURED FOR THE USE OR SALE BY THE MANUFACTURER OR ANY OTHER PERSON OR ENTITY WITHOUT PRIOR EXPRESS WRITTEN AUTHORIZATION BY STS BESPOKE HANDLING EQUIPMENT.

SHEET NO: 3 OF 5

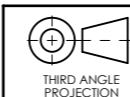
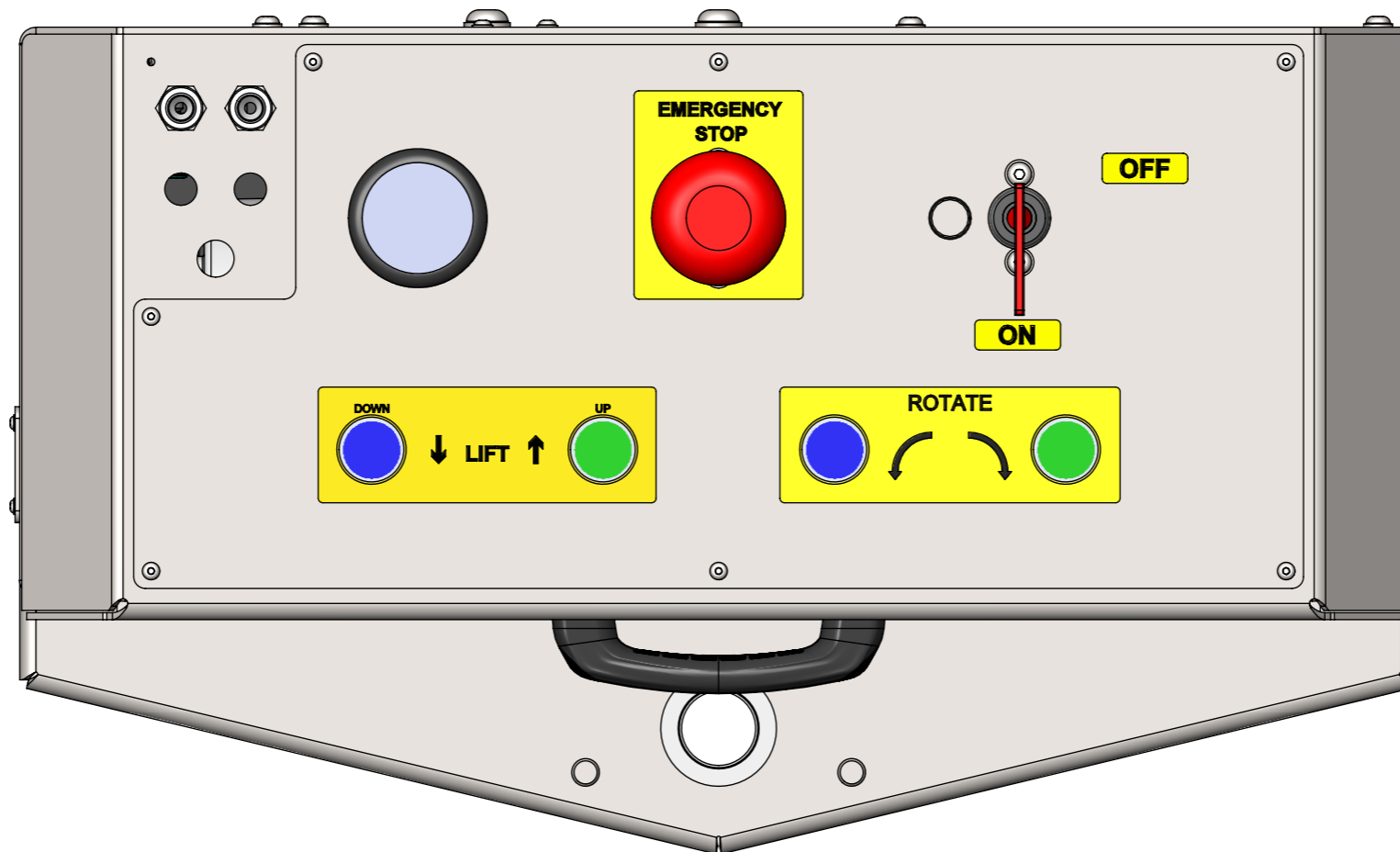
DRAWN BY: JS

SHEET SIZE: A3

PART NUMBER:

021138

CONTROL PANEL LAYOUT



THIRD ANGLE PROJECTION

ALL DIMENSIONS
IN mm U.O.S
DO NOT SCALE

STN
BESPOKE HANDLING EQUIPMENT LTD
LEEDSTOWN, CORNWALL, TR27 6DS
TEL: +44 1736 85 10 50 FAX: +44 1736 85 10 23
E-MAIL: SALES@STIS-TROLLEYS.CO.UK
WWW: HTTPS://WWW.STIS-TROLLEYS.CO.UK

DESCRIPTION:
STE02-DRH01-SS, TELESCOPIC STAINLESS STEEL ELECTRIC HYDRAULIC
STACKER WITH POWERED DRUM ROTATION, 350KG SWL

CUSTOMER APPROVAL:
NAME:
SIGNATURE:
DATE:

THIS DOCUMENT AND ALL THE INFORMATION CONTAINED HEREIN ARE CONFIDENTIAL AND EXCLUSIVE PROPERTY OF STS BESPOKE HANDLING EQUIPMENT AND MAY NOT BE REPRODUCED, USED, DISCLOSED OR MADE PUBLIC IN ANY MANNER PRIOR TO EXPRESS WRITTEN AUTHORIZATION BY STS BESPOKE HANDLING EQUIPMENT.
THIS DOCUMENT IS ACCEPTED PURSUANT TO AGREEMENT TO THE FOREGOING, AND MUST BE RETURNED OR DESTROYED UPON DEMAND.
MANUFACTURER AGREES THAT ARTICLES MADE IN ACCORDANCE WITH THIS DOCUMENT SHALL BE CONSIDERED STS BESPOKE HANDLING EQUIPMENT'S DESIGN AND THAT IDENTICAL ARTICLES OR PARTS THEREOF SHALL NOT BE MANUFACTURED FOR THE USE OR SALE BY THE MANUFACTURER OR ANY OTHER PERSON OR ENTITY WITHOUT PRIOR EXPRESS WRITTEN AUTHORIZATION BY STS BESPOKE HANDLING EQUIPMENT.

SHEET NO: 4 OF 5
DRAWN BY: JS
SHEET SIZE: A3
PART NUMBER:
021138