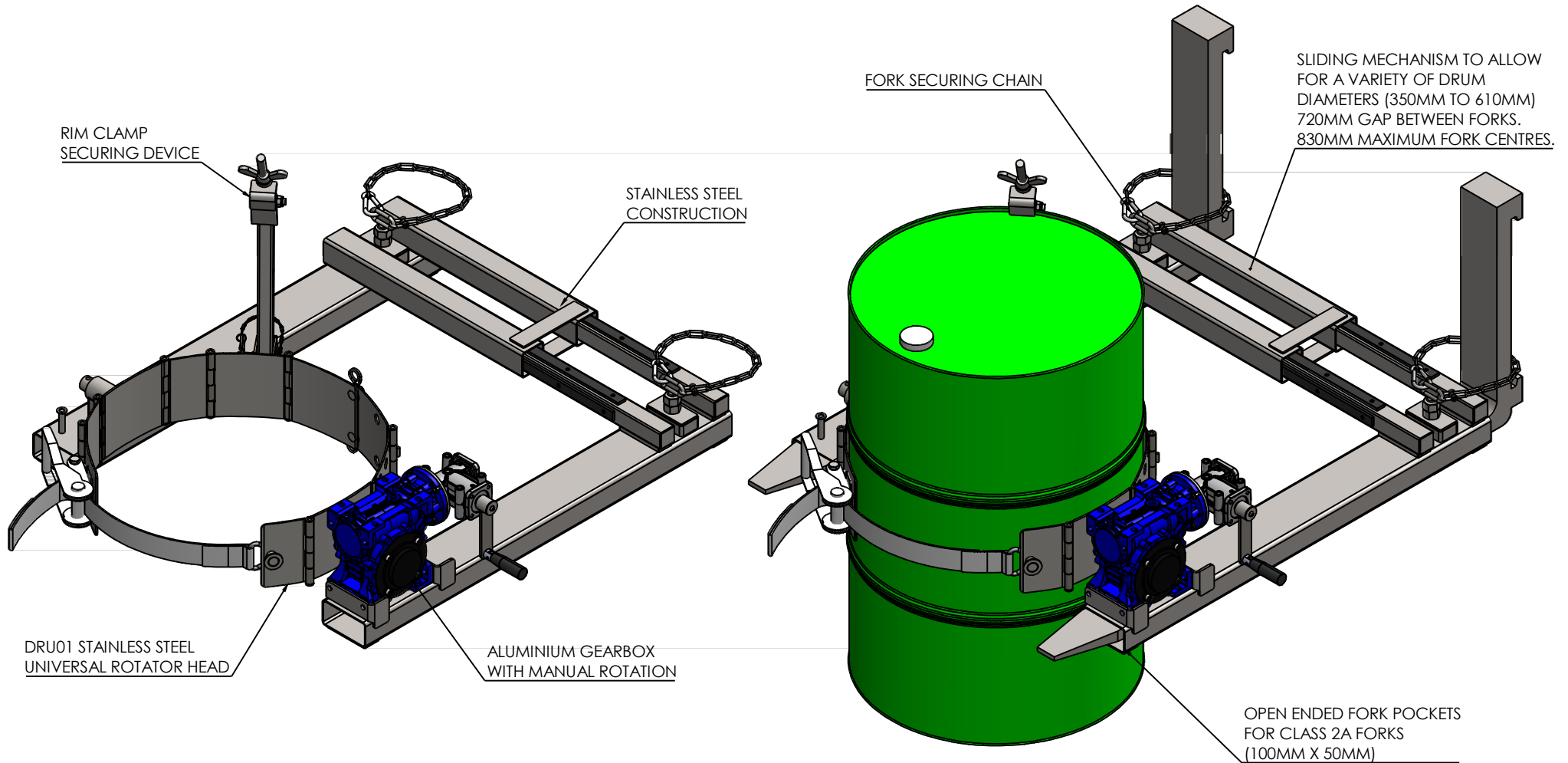


# DRU04-SS-EX

SWL - 350kg



NOTE: THE END USER MUST ENSURE THAT THE FORKLIFT/STACKER TRUCK IS EARTHED

Ex II 2 G D  
Ex h IIB T4 Gb  
Ex h III B T135°C Db

ALL DIMENSIONS IN mm U.O.S.  
DO NOT SCALE

THIRD ANGLE PROJECTION

**NTS**  
RESPONSE HANDLING EQUIPMENT LTD  
LEEDSTOWN, CORNWALL TR27 6DS  
TEL: +44 1736 85 10 55 FAX: +44 1736 85 10 23  
E-MAIL: SALES@STS-TROLLEYS.CO.UK  
WWW: HTTPS://WWW.STS-TROLLEYS.CO.UK

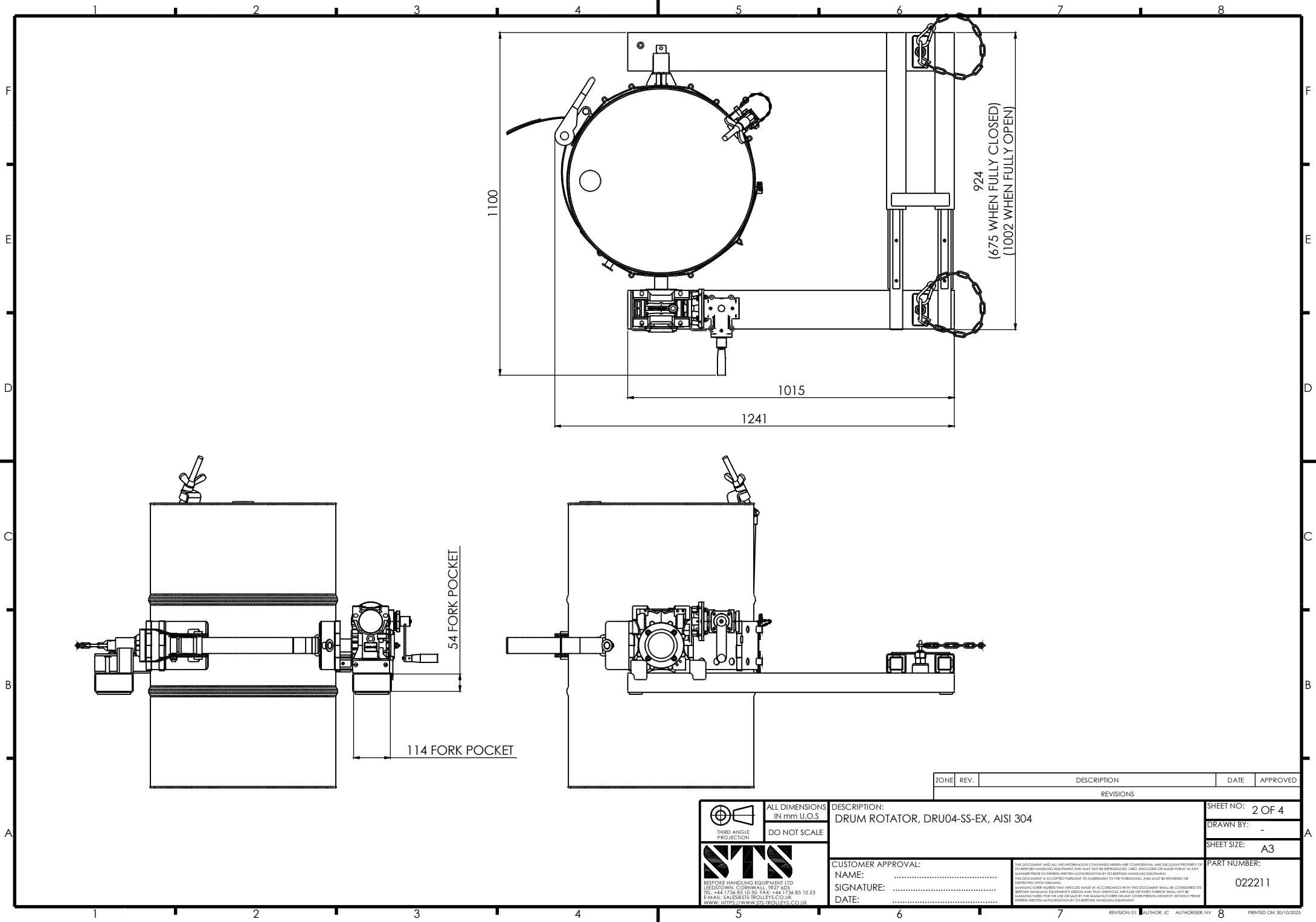
DESCRIPTION: DRUM ROTATOR, DRU04-SS-EX, AISI 304

CUSTOMER APPROVAL:  
NAME: .....  
SIGNATURE: .....  
DATE: .....

THIS DOCUMENT AND ALL THE INFORMATION CONTAINED HEREIN ARE CONFIDENTIAL AND EXCLUSIVE PROPERTY OF STS RESPONSE HANDLING EQUIPMENT AND MAY NOT BE REPRODUCED, USED, DISCLOSED OR MADE PUBLIC IN ANY MANNER PRIOR TO EXPRESS WRITTEN AUTHORIZATION BY STS RESPONSE HANDLING EQUIPMENT.  
THIS DOCUMENT IS ACCEPTED PURSUANT TO AGREEMENT TO THE FOREGOING, AND MUST BE RETURNED OR DESTROYED BY THE USER.  
MANUFACTURER AGREES THAT ARTICLES MADE IN ACCORDANCE WITH THIS DOCUMENT SHALL BE CONSIDERED STS RESPONSE HANDLING EQUIPMENT DESIGN AND THAT ORIGINAL ARTICLES OR PARTS THEREOF SHALL NOT BE MANUFACTURED FOR THE USE OR SALE BY THE MANUFACTURER OR ANY OTHER PERSON OR ENTITY WITHOUT PRIOR EXPRESS WRITTEN AUTHORIZATION BY STS RESPONSE HANDLING EQUIPMENT.

SHEET NO: 1 OF 4  
DRAWN BY: -  
SHEET SIZE: A3  
PART NUMBER: 022211

	B		30/10/2023	
	A		30/10/2023	JS
ZONE	REV.	DESCRIPTION	DATE	APPROVED
REVISIONS				



1100

1015

1241

924  
(675 WHEN FULLY CLOSED)  
(1002 WHEN FULLY OPEN)

54 FORK POCKET

114 FORK POCKET

ZONE	REV.	DESCRIPTION	DATE	APPROVED
REVISIONS				

 ALL DIMENSIONS IN mm U.O.S.  
 THIRD ANGLE PROJECTION DO NOT SCALE  
  
 RESPONCE HANDLING EQUIPMENT LTD  
 LEEDSTOWN, CORNWALL TR27 6DS  
 TEL: +44 1736 85 10 33 FAX: +44 1736 85 10 23  
 E-MAIL: SALES@STS-TROLLEYS.CO.UK  
 WWW: HTTPS://WWW.STS-TROLLEYS.CO.UK

DESCRIPTION:  
**DRUM ROTATOR, DRU04-SS-EX, AISI 304**

CUSTOMER APPROVAL:  
 NAME: .....  
 SIGNATURE: .....  
 DATE: .....

SHEET NO: 2 OF 4  
 DRAWN BY: -  
 SHEET SIZE: A3  
 PART NUMBER:  
**022211**

THIS DOCUMENT AND ALL THE INFORMATION CONTAINED HEREIN ARE CONFIDENTIAL AND EXCLUSIVE PROPERTY OF STS RESPONCE HANDLING EQUIPMENT AND MAY NOT BE REPRODUCED, USED, DISCLOSED OR MADE PUBLIC IN ANY MANNER WITHOUT THE WRITTEN AUTHORIZATION BY STS RESPONCE HANDLING EQUIPMENT.  
 THIS DOCUMENT IS ACCEPTED PURSUANT TO AGREEMENT TO THE FOREGOING, AND MUST BE RETURNED OR DESTROYED UPON DEMAND.  
 MANUFACTURER AGREES THAT ARTICLES MADE IN ACCORDANCE WITH THIS DOCUMENT SHALL BE CONSIDERED STS RESPONCE HANDLING EQUIPMENT DESIGN AND THAT ORIGINAL ARTICLES OR PARTS THEREOF SHALL NOT BE MANUFACTURED FOR THE USE OR SALE BY THE MANUFACTURER OR ANY OTHER PERSON OR ENTITY WITHOUT PRIOR WRITTEN AUTHORIZATION BY STS RESPONCE HANDLING EQUIPMENT.