

DME04 DRUM MIXER

SWL: 20KG PER DRUM

0-20 RPM

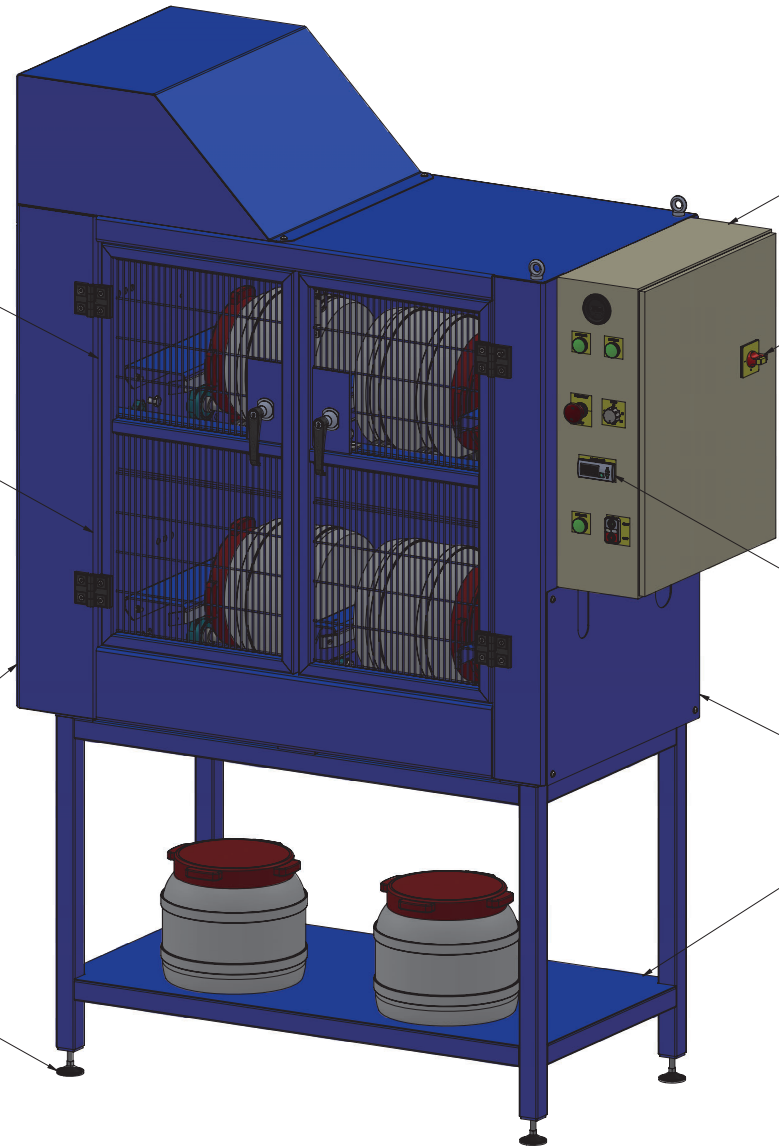
230V

180° OPENING FRONT DOORS WITH LOCKING HANDLES AND MESH GUARDING

DOORS FITTED WITH SAFETY SWITCHES TO STOP MIXING IF DOORS ARE OPENED

MILD STEEL CONSTRUCTION WITH A GRIT BLASTED AND DOUBLE POWDER COATED FINISH TO RAL 5010 (BLUE)

4X ADJUSTABLE FEET



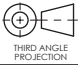

SIDE MOUNTED CONTROL BOX

POWER ON SWITCH WITH SAFETY SWITCH TO CUT OUT POWER IF CONTROL BOX DOOR IS OPENED

CONTROL BOX FUNCTIONS:
 START/STOP
 MIXING TIMER
 EMERGENCY STOP
 MIXING SPEED ADJUSTMENT
 POWER ON LIGHT
 OPERATING LIGHT
 MIXER DISABLED LIGHT

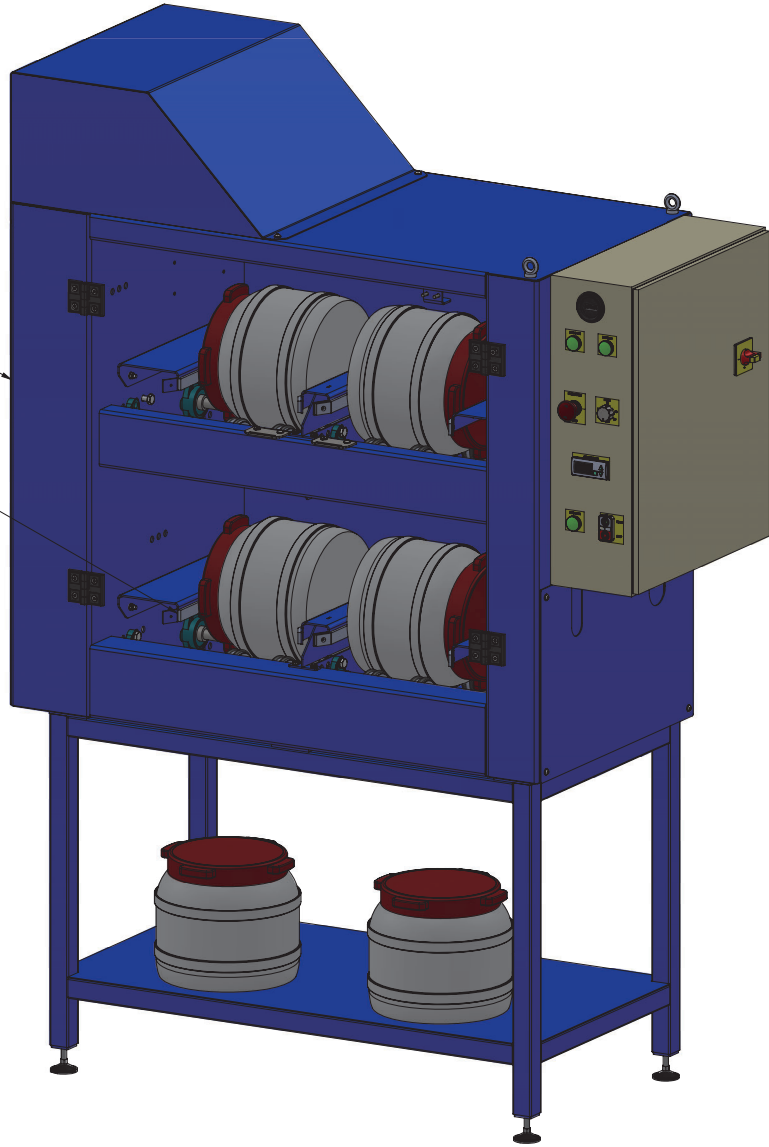
FEATURES SUMP WITH CAPACITY FOR 110% OF DRUM VOLUME (11 LITRES)

STORAGE SHELF



 THIRD ANGLE PROJECTION DO NOT SCALE	ALL DIMENSIONS IN mm U.O.S. CUSTOMER APPROVAL: NAME: SIGNATURE: DATE:	CATEGORY: ASSEMBLY MATERIAL SPEC: FINISH: AS SUPPLIED DESCRIPTION: ELECTRIC DRUM MIXER, 230V, DME04	SHEET NO: 1 OF 5 EST MASS: 359.38kg SHEET SIZE: A3 PART NUMBER: 014444	DRAWN BY: JS CHECKED BY: DATE CHK: REVISION: C
	 RESPICE HANDLING EQUIPMENT LTD LEEDSTOWN, CORNWALL, T22 6DS TEL: +44 1736 85 10 50 FAX: +44 1736 85 10 23 E-MAIL: SALES@STS-TROLLEYS.CO.UK WWW: HTTPS://WWW.STS-TROLLEYS.CO.UK	THIS DOCUMENT AND ALL THE INFORMATION CONTAINED HEREIN ARE CONFIDENTIAL AND EXCLUSIVE PROPERTY OF STS RESPICE HANDLING EQUIPMENT AND MAY NOT BE REPRODUCED, USED, DISCLOSED OR MADE PUBLIC IN ANY MANNER PRIOR TO OBTAINING WRITTEN AUTHORIZATION BY STS RESPICE HANDLING EQUIPMENT. THIS DOCUMENT IS ACCEPTED PURSUANT TO AGREEMENT TO THE FOREGOING, AND MUST BE RETURNED OR DESTROYED UPON DEMAND. MANUFACTURER AGREES THAT ARTICLES MADE IN ACCORDANCE WITH THIS DOCUMENT SHALL BE CONSIDERED STS RESPICE HANDLING EQUIPMENT DESIGN AND THAT ORIGINAL ARTICLES OR PARTS THEREOF SHALL NOT BE MANUFACTURED FOR THE USE OR SALE BY THE MANUFACTURER OR ANY OTHER PERSON OR ENTITY WITHOUT PRIOR WRITTEN AUTHORIZATION BY STS RESPICE HANDLING EQUIPMENT.	REVISION: 01 AUTHOR: JC AUTHORISER: NV 8 PRINTED ON: 14/03/2019	

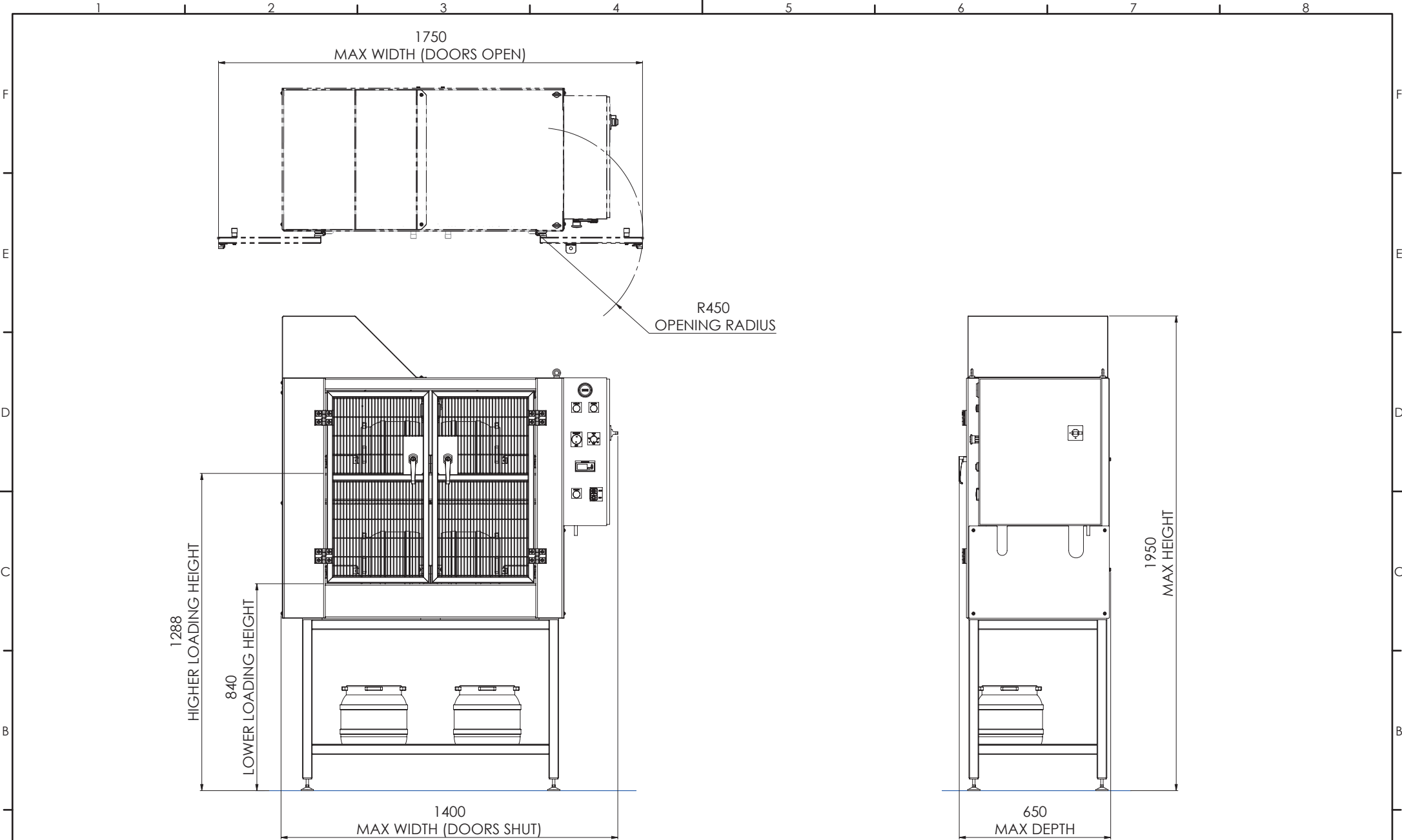
DESIGNED FOR MIXING
10L WIDE NECK DRUMS
(ϕ 274MM X 238MM)

NYLON GUIDES TO
RETAIN DRUM POSITION
ON ROLLER WHEELS



NOTE: FRONT DOORS REMOVED FOR CLARITY

 THIRD ANGLE PROJECTION	ALL DIMENSIONS IN mm U.O.S	CUSTOMER APPROVAL:	CATEGORY: ASSEMBLY	SHEET NO: 2 OF 5	DRAWN BY: JS
	DO NOT SCALE	NAME:	MATERIAL SPEC:	EST MASS: 359.38kg	CHECKED BY:
 STS RESPICE HANDLING EQUIPMENT LTD LEEDSTOWN, CORNWALL, TR27 6DS TEL: +44 1736 85 10 50 FAX: +44 1736 85 10 23 E-MAIL: SALES@STS-TROLLEYS.CO.UK WWW: HTTPS://WWW.STS-TROLLEYS.CO.UK	SIGNATURE:	DATE:	FINISH: AS SUPPLIED	SHEET SIZE: A3	DATE CHK:
	<small>THIS DOCUMENT AND ALL THE INFORMATION CONTAINED HEREIN ARE CONFIDENTIAL AND EXCLUSIVE PROPERTY OF STS RESPICE HANDLING EQUIPMENT AND MAY NOT BE REPRODUCED, USED, DISCLOSED OR MADE PUBLIC IN ANY MANNER PRIOR TO EXPRESS WRITTEN AUTHORIZATION BY STS RESPICE HANDLING EQUIPMENT. MANUFACTURER AGREES THAT ARTICLES MADE IN ACCORDANCE WITH THIS DOCUMENT SHALL BE CONSIDERED STS RESPICE HANDLING EQUIPMENT DESIGN AND THAT ORIGINAL ARTICLES OR PARTS THEREOF SHALL NOT BE MANUFACTURED FOR THE USE OR SALE BY THE MANUFACTURER OR ANY OTHER PERSON OR ENTITY WITHOUT PRIOR EXPRESS WRITTEN AUTHORIZATION BY STS RESPICE HANDLING EQUIPMENT.</small>		DESCRIPTION: ELECTRIC DRUM MIXER, 230V, DME04	PART NUMBER: 014444	REVISION: C




 ALL DIMENSIONS
IN mm U.O.S
 DO NOT SCALE



STS
 RESPONCE HANDLING EQUIPMENT LTD
 LEEDSTOWN, CORNWALL, TQ27 6DS
 TEL: +44 1736 85 10 50 FAX: +44 1736 85 10 23
 E-MAIL: SALES@STS-TROLLEYS.CO.UK
 WWW: [HTTPS://WWW.STS-TROLLEYS.CO.UK](https://www.sts-trolleys.co.uk)

CUSTOMER APPROVAL:

NAME:

SIGNATURE:

DATE:

THIS DOCUMENT AND ALL THE INFORMATION CONTAINED HEREIN ARE CONFIDENTIAL AND EXCLUSIVE PROPERTY OF STS RESPONCE HANDLING EQUIPMENT AND MAY NOT BE REPRODUCED, USED, DISCLOSED OR MADE PUBLIC IN ANY MANNER PRIOR TO EXPRESS WRITTEN AUTHORIZATION BY STS RESPONCE HANDLING EQUIPMENT. MANUFACTURER AGREES THAT ARTICLES MADE IN ACCORDANCE WITH THIS DOCUMENT SHALL BE CONSIDERED STS RESPONCE HANDLING EQUIPMENT DESIGN AND THAT ORIGINAL ARTICLES OR PARTS THEREOF SHALL NOT BE MANUFACTURED FOR THE USE OR SALE BY THE MANUFACTURER OR ANY OTHER PERSON OR ENTITY WITHOUT PRIOR EXPRESS WRITTEN AUTHORIZATION BY STS RESPONCE HANDLING EQUIPMENT.

CATEGORY: ASSEMBLY

MATERIAL SPEC:

FINISH: AS SUPPLIED

DESCRIPTION: ELECTRIC DRUM MIXER, 230V, DME04

SHEET NO: 3 OF 5

EST MASS: 359.38kg

SHEET SIZE: A3

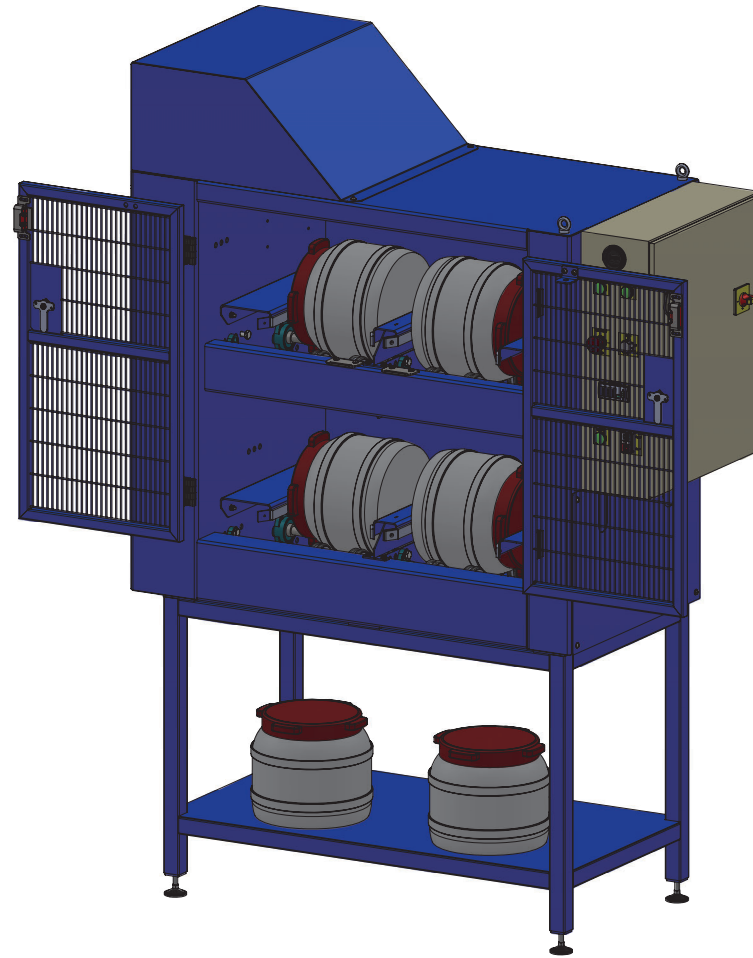
PART NUMBER: 014444

DRAWN BY: JS



CHECKED BY:

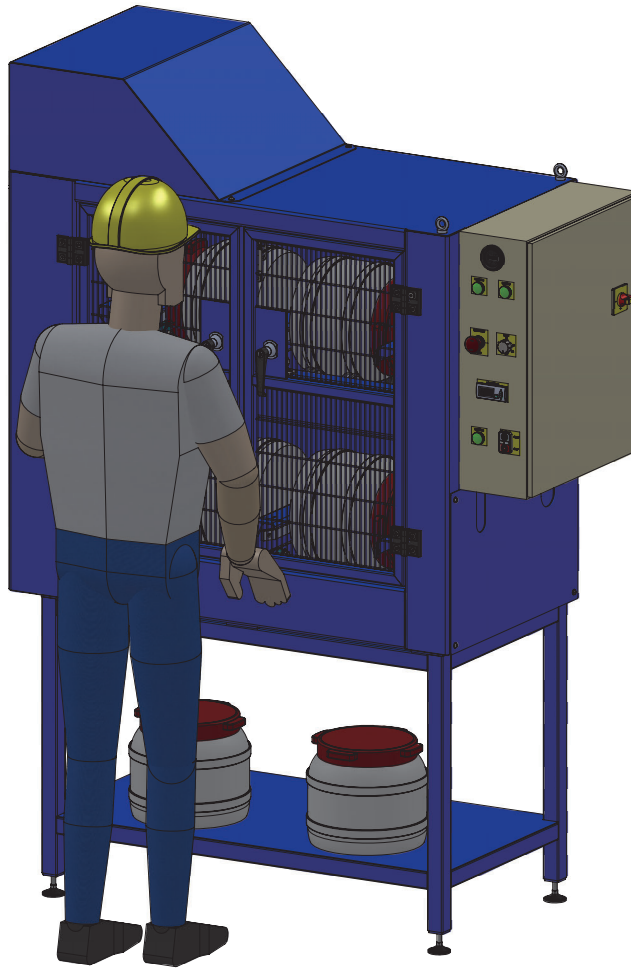
DATE CHK:

REVISION: C

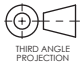



WITH THE DOORS OPEN THE OPERATOR CAN LOAD EACH OF THE 10 LITRE DRUMS ONTO THE ROLLERS WITHIN THE MIXER. THE MIXER FEATURES A LOADING SHELF WHICH GIVES THE OPERATOR A PLACE TO PUT A DRUM BEFORE POSITIONING IT ON THE ROLLERS. THE ROLLERS ROTATE THE DRUMS BY CONTACTING ON THE HOOPS OF EACH DRUM, THIS ENSURES ANY WRITING OR MARKINGS CAN BE MAINTAINED ON THE DRUMS DURING THE MIXING PROCESS.

 THIRD ANGLE PROJECTION	ALL DIMENSIONS IN mm U.O.S	CUSTOMER APPROVAL:	CATEGORY: ASSEMBLY	SHEET NO: 4 OF 5	DRAWN BY: JS
	DO NOT SCALE	NAME:	MATERIAL SPEC:	EST MASS: 359.38kg	CHECKED BY:
 STS RESPICE HANDLING EQUIPMENT LTD LEEDSTOWN, CORNWALL, TR27 6DS TEL: +44 1736 85 10 50 FAX: +44 1736 85 10 23 E-MAIL: SALES@STS-TROLLEYS.CO.UK WWW: HTTPS://WWW.STS-TROLLEYS.CO.UK	SIGNATURE:	DATE:	FINISH: AS SUPPLIED	SHEET SIZE: A3	DATE CHK:
	<small>THIS DOCUMENT AND ALL THE INFORMATION CONTAINED HEREIN ARE CONFIDENTIAL AND EXCLUSIVE PROPERTY OF STS RESPICE HANDLING EQUIPMENT AND MAY NOT BE REPRODUCED, USED, DISCLOSED OR MADE PUBLIC IN ANY MANNER PRIOR TO WRITTEN AUTHORIZATION BY STS RESPICE HANDLING EQUIPMENT. MANUFACTURER AGREES THAT ARTICLES MADE IN ACCORDANCE WITH THIS DOCUMENT SHALL BE CONSIDERED STS RESPICE HANDLING EQUIPMENT DESIGN AND THAT ORIGINAL ARTICLES OR PARTS THEREOF SHALL NOT BE MANUFACTURED FOR THE USE OR SALE BY THE MANUFACTURER OR ANY OTHER PERSON OR ENTITY WITHOUT PRIOR WRITTEN AUTHORIZATION BY STS RESPICE HANDLING EQUIPMENT.</small>		DESCRIPTION: ELECTRIC DRUM MIXER, 230V, DME04	PART NUMBER: 014444	REVISION: C



ONCE THE DRUMS ARE LOADED, THE OPERATOR CAN CLOSE AND LOCK THE FRONT DOORS. THE CONTROL PANEL ON THE RIGHT OF THE MIXER ALLOWS FULL CONTROL TO THE USER OVER THE MIXING TIME AND SPEED. A SAFETY SWITCH MOUNTED ON THE DOORS WILL CEASE THE MIXING PROCESS AS SOON AS THE DOORS ARE OPENED, KEEPING THE OPERATOR SAFE FROM ANY MOVING PARTS. A SUMP AT THE BOTTOM OF THE MIXER WILL COLLECT ANY FLUIDS IN THE CASE OF A LEAK OR SPILL.

 THIRD ANGLE PROJECTION	ALL DIMENSIONS IN mm U.O.S	CUSTOMER APPROVAL:	CATEGORY: ASSEMBLY	SHEET NO: 5 OF 5	DRAWN BY: JS
	DO NOT SCALE	NAME:	MATERIAL SPEC:	EST MASS: 359.38kg	CHECKED BY:
 STS RESPONCE HANDLING EQUIPMENT LTD LEEDSTOWN, CORNWALL, TR27 6DS TEL: +44 1736 85 10 50 FAX: +44 1736 85 10 23 E-MAIL: SALES@STS-TROLLEYS.CO.UK WWW: HTTPS://WWW.STS-TROLLEYS.CO.UK	SIGNATURE:	DATE:	FINISH: AS SUPPLIED	SHEET SIZE: A3	DATE CHK:
	<small>THIS DOCUMENT AND ALL THE INFORMATION CONTAINED HEREIN ARE CONFIDENTIAL AND EXCLUSIVE PROPERTY OF STS RESPONCE HANDLING EQUIPMENT AND MAY NOT BE REPRODUCED, USED, DISCLOSED OR MADE PUBLIC IN ANY MANNER PRIOR TO OBTAINING WRITTEN AUTHORIZATION BY STS RESPONCE HANDLING EQUIPMENT. THIS DOCUMENT IS ACCEPTED PURSUANT TO AGREEMENT TO THE FOREGOING, AND MUST BE RETURNED OR DESTROYED UPON REQUEST.</small>		DESCRIPTION: ELECTRIC DRUM MIXER, 230V, DME04	PART NUMBER:	REVISION:
	<small>MANUFACTURER AGREES THAT ARTICLES MADE IN ACCORDANCE WITH THIS DOCUMENT SHALL BE CONSIDERED STS RESPONCE HANDLING EQUIPMENT DESIGN AND THAT ORIGINAL ARTICLES OR PARTS THEREOF SHALL NOT BE MANUFACTURED FOR THE USE OR SALE BY THE MANUFACTURER OR ANY OTHER PERSON OR ENTITY WITHOUT PRIOR WRITTEN AUTHORIZATION BY STS RESPONCE HANDLING EQUIPMENT.</small>			014444	C