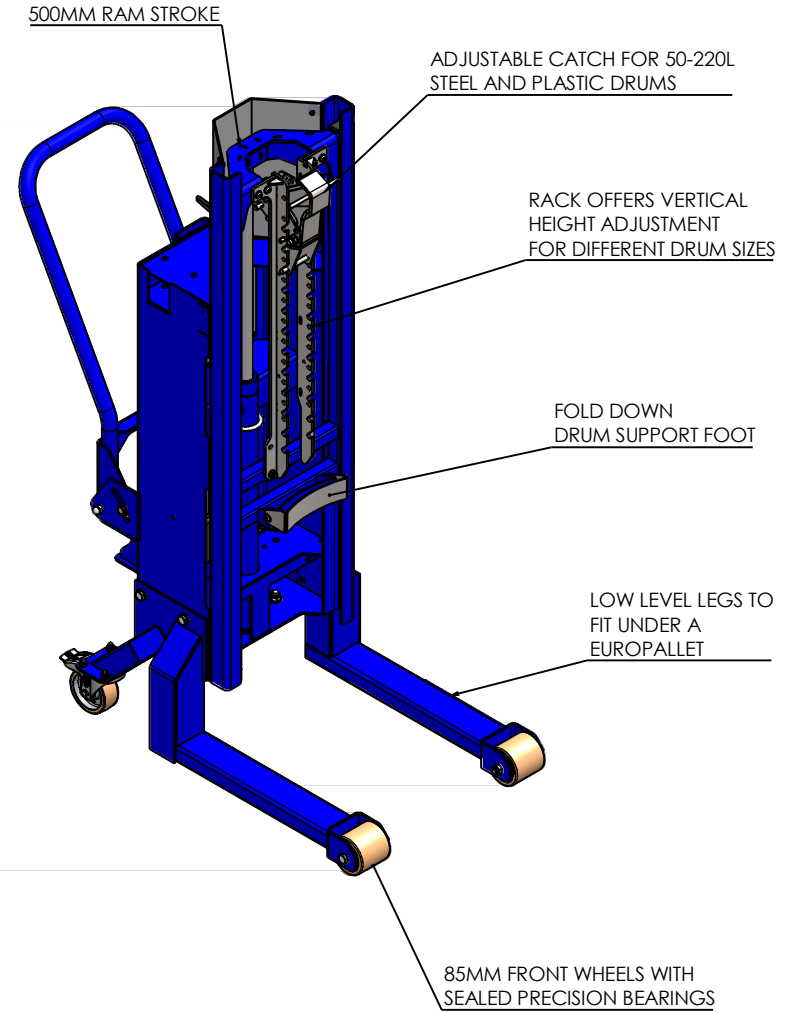
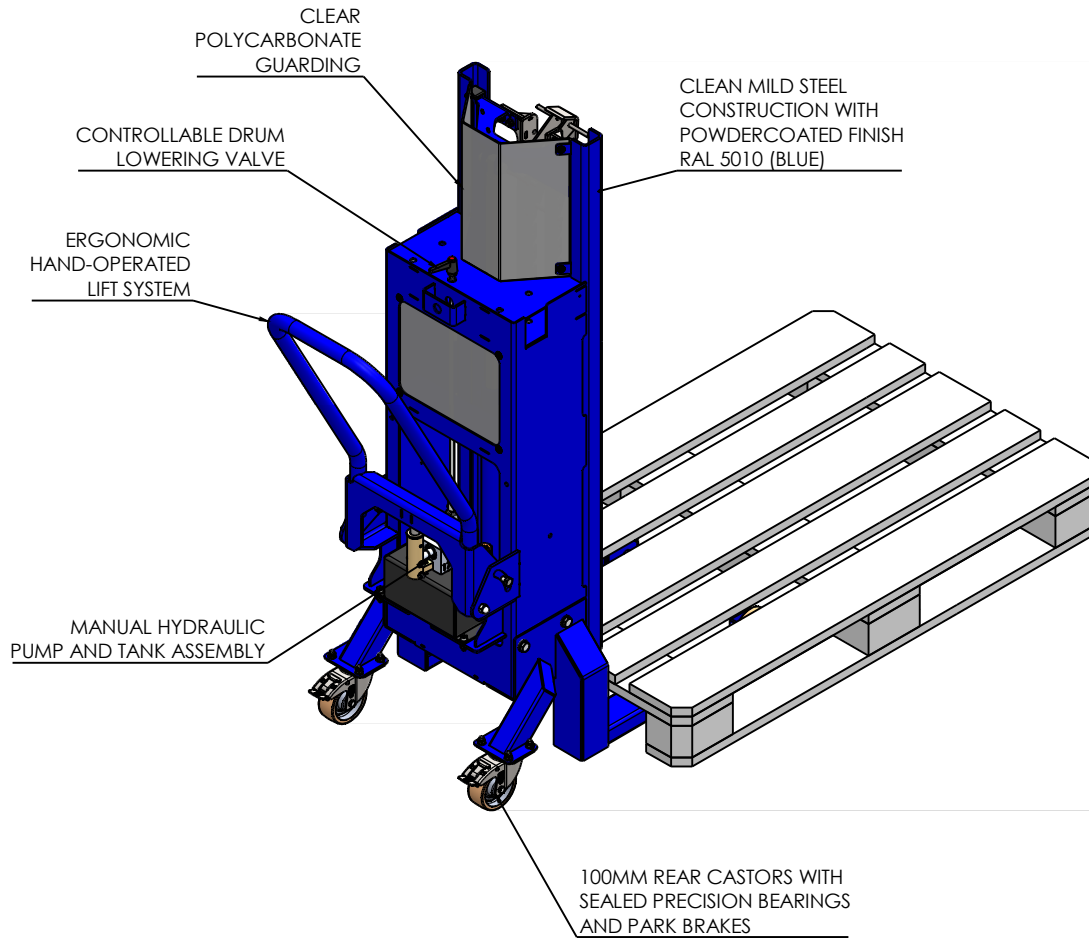




DTP06-R500

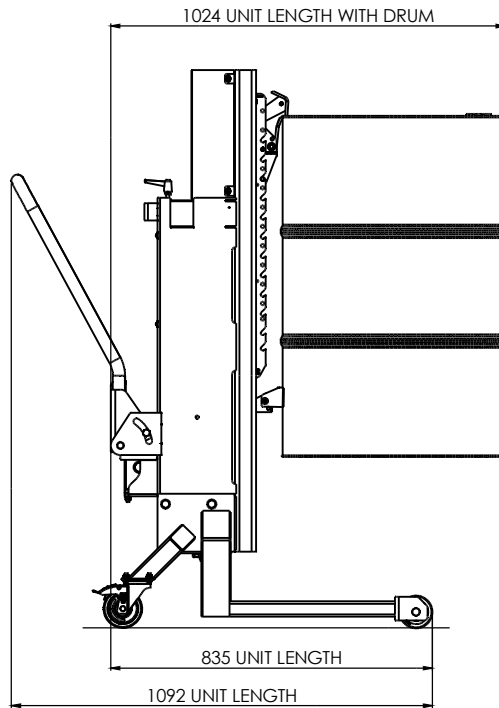
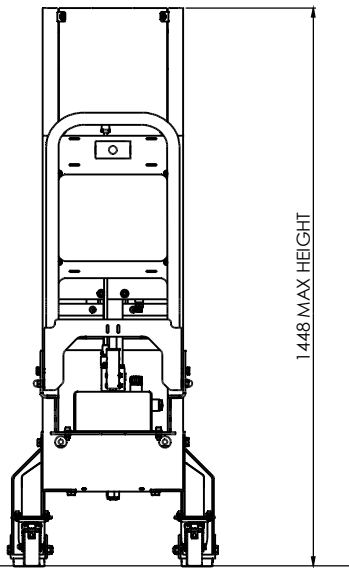
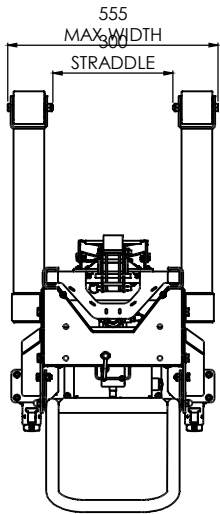
SWL - 350kg



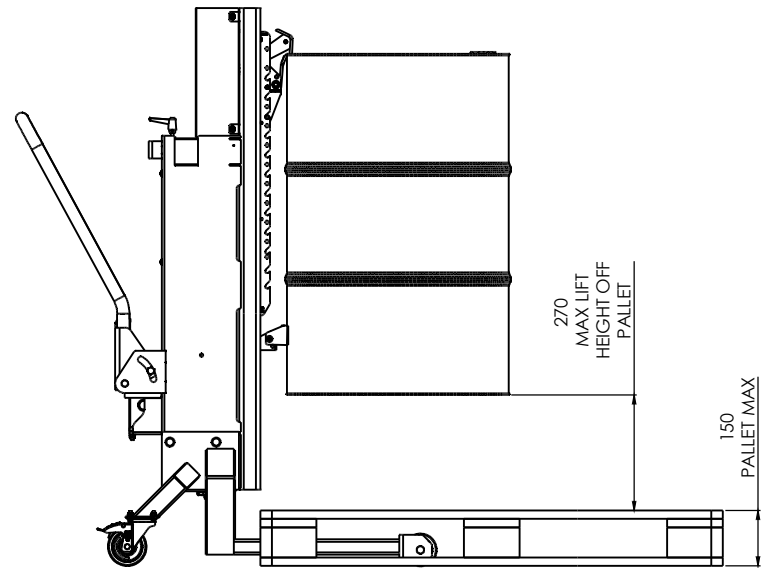
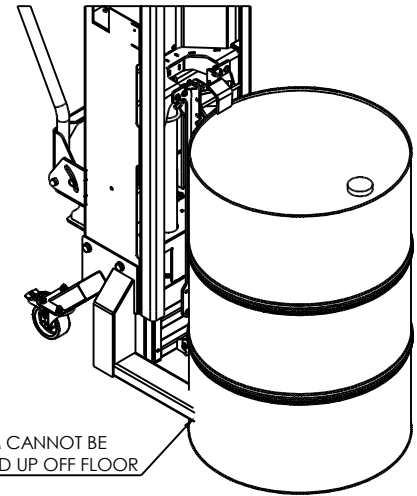
THE UNIT IS DESIGNED TO LIFT A DRUM OFF A PALLET AND CANNOT LIFT OFF THE FLOOR

Drum Range: 50L - 220L

 THIRD ANGLE PROJECTION  RESPONSE HANDLING EQUIPMENT LTD LEEDSTOWN, CORNWALL TR27 4DS TEL: +44 1736 85 10 50; FAX: +44 1736 85 10 23 E-MAIL: SALES@STC-TROLLEY.CO.UK WWW: HTTP://WWW.STC-TROLLEY.CO.UK	ALL DIMENSIONS IN mm U.O.S DO NOT SCALE	DESCRIPTION: DTP06-R500, DEPALLETISER ASSEMBLY	SHEET NO: 1 OF 3 DRAWN BY: JC SHEET SIZE: A3
	CUSTOMER APPROVAL: NAME: SIGNATURE: DATE:	<small>THIS DOCUMENT AND ALL THE INFORMATION CONTAINED HEREIN ARE CONFIDENTIAL AND EXCLUSIVE PROPERTY OF RESPONSE HANDLING EQUIPMENT AND MAY NOT BE REPRODUCED, USED, DISCLOSED OR MADE PUBLIC IN ANY MANNER WITHOUT THE WRITTEN AUTHORIZATION BY THE MANUFACTURER. THE INFORMATION IS PROVIDED AS IS WITHOUT WARRANTY OF ANY KIND, INCLUDING MERCHANTABILITY AND FITNESS FOR A PARTICULAR PURPOSE. THE INFORMATION IS PROVIDED AS IS WITHOUT WARRANTY OF ANY KIND, INCLUDING MERCHANTABILITY AND FITNESS FOR A PARTICULAR PURPOSE. THE INFORMATION IS PROVIDED AS IS WITHOUT WARRANTY OF ANY KIND, INCLUDING MERCHANTABILITY AND FITNESS FOR A PARTICULAR PURPOSE.</small>	PART NUMBER: 020846



DRUM CANNOT BE
PICKED UP OFF FLOOR



<p>THIRD ANGLE PROJECTION</p>	<p>ALL DIMENSIONS IN mm U.O.S</p>	<p>DESCRIPTION: DTP06-R500, DEPALLETISER ASSEMBLY</p>	<p>SHEET NO: 2 OF 3</p>
	<p>DO NOT SCALE</p>	<p>CUSTOMER APPROVAL: NAME: SIGNATURE: DATE:</p>	<p>DRAWN BY: JC</p>
<p>RESPONSE HANDLING EQUIPMENT LTD LEEDSTOWN, CORNWALL TR27 4DS TEL: +44 1754 85 10 50, FAX: +44 1754 85 10 23 E-MAIL: SALES@STS-TROLLEY.CO.UK WWW: HTTPS://WWW.STS-TROLLEY.CO.UK</p>	<p>THIS DOCUMENT AND ALL THE INFORMATION CONTAINED HEREIN ARE CONFIDENTIAL AND EXCLUSIVE PROPERTY OF RESPONSE HANDLING EQUIPMENT AND MAY NOT BE REPRODUCED, USED, DISCLOSED OR MADE PUBLIC IN ANY FORM OR BY ANY MEANS, ELECTRONIC OR MECHANICAL, INCLUDING PHOTOCOPYING, RECORDING, OR BY ANY INFORMATION STORAGE AND RETRIEVAL SYSTEM, WITHOUT THE WRITTEN PERMISSION OF RESPONSE HANDLING EQUIPMENT LTD.</p>	<p>SHEET SIZE: A3</p>	<p>PART NUMBER: 020846</p>