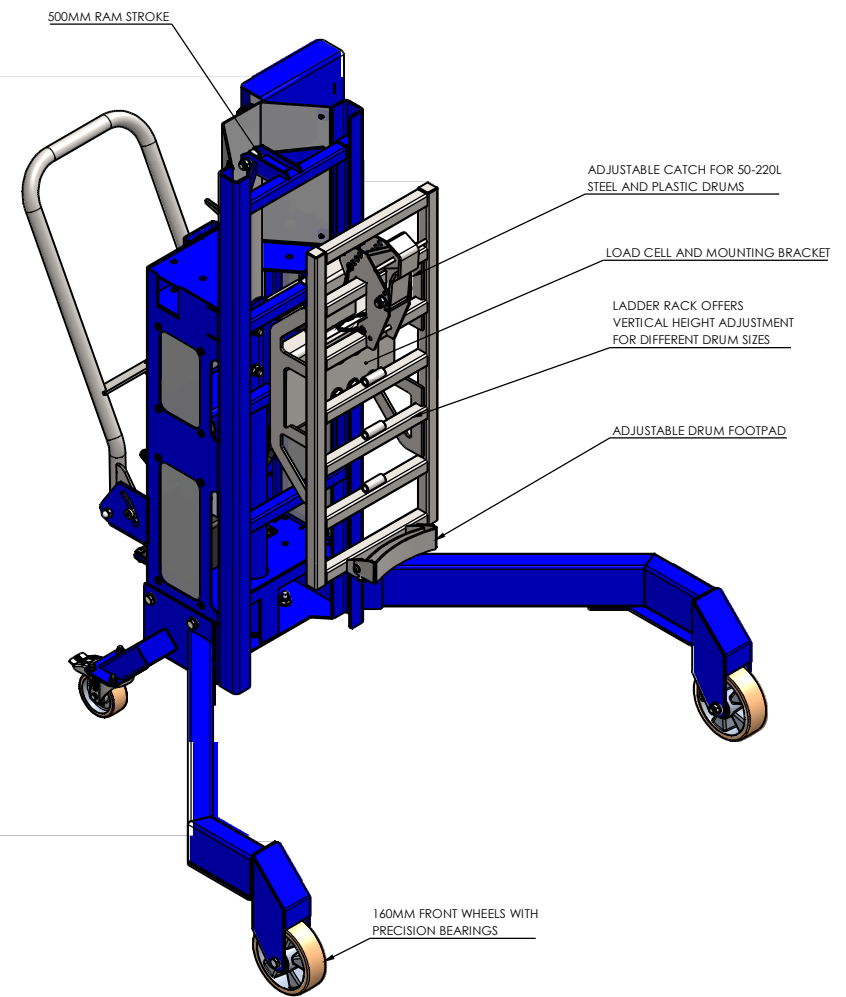
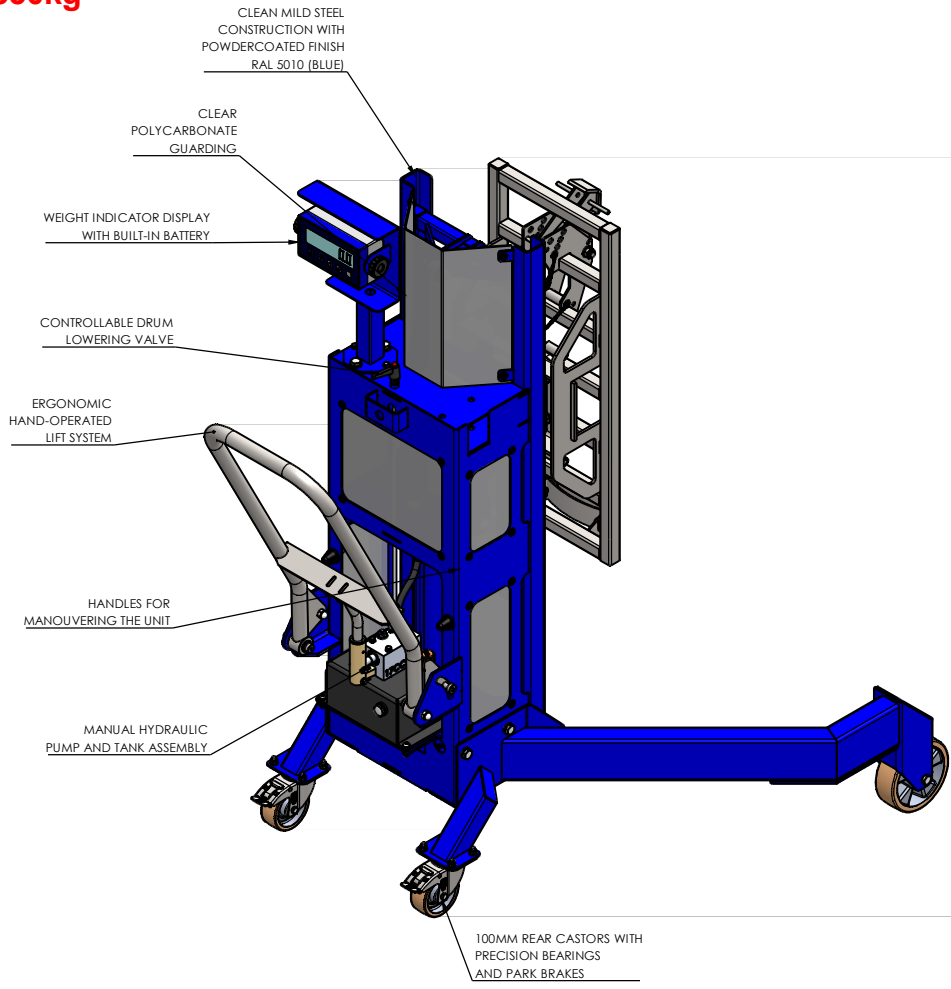




DTP05-R500-LC-SP

SWL - 350kg

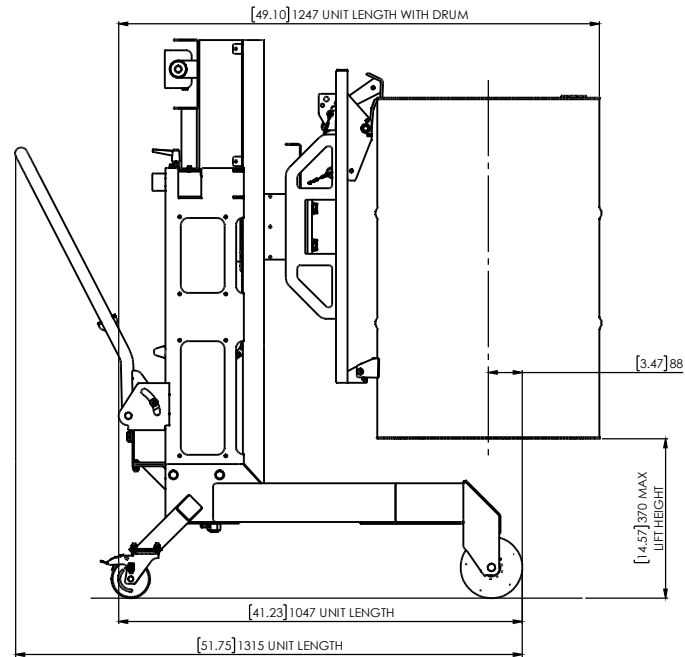
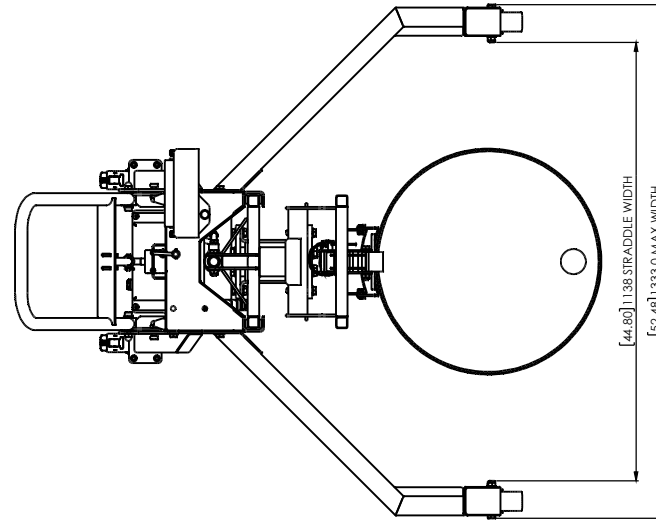
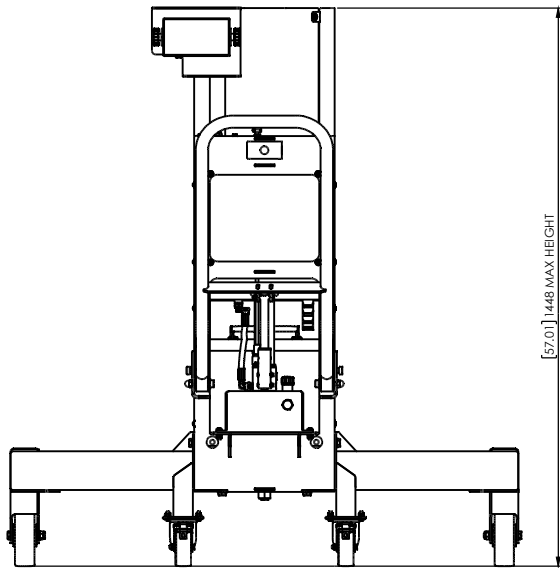


Drum Range: 50L - 220L
Minimum Lift Clearance: 370mm

 THIRD ANGLE PROJECTION  RESOLVE HANDLING EQUIPMENT LTD LEEDSTOWN, CORNWALL TR27 4DS TEL: +44 1738 85 10 30 FAX: +44 1738 85 10 23 E-MAIL: SALES@STS-TROLLEYS.CO.UK WWW: HTTP://WWW.STS-TROLLEYS.CO.UK	ALL DIMENSIONS IN mm U.O.S. DO NOT SCALE	CUSTOMER APPROVAL: NAME: SIGNATURE: DATE:	CATEGORY: ASSEMBLY MATERIAL SPEC: FINISH: N/A	SHEET NO: 1 OF 3 EST MASS: 473.46kg SHEET SIZE: A3 PART NUMBER: 019093	DRAWN BY: JC CHECKED BY: JS DATE CHK: 05/10/2021 REVISION: C
	THE DOCUMENT AND ALL THE INFORMATION CONTAINED HEREIN ARE CONFIDENTIAL AND EXCLUSIVE PROPERTY OF RESOLVE HANDLING EQUIPMENT AND MAY NOT BE REPRODUCED, USED, DISCLOSED OR MADE PUBLIC IN ANY MANNER WITHOUT THE WRITTEN AUTHORIZATION BY RESOLVE HANDLING EQUIPMENT.			DESCRIPTION: DTP05-R500-LC-SP, DEPALLETISER WITH LOAD CELL, ASSEMBLY, 500MM RAM	
	RESOLVE HANDLING EQUIPMENT'S DESIGN AND TECH SPECIFIC ARTICLES OR PARTS ARE REGISTERED AND MANUFACTURED FOR THE USE OR SALE BY THE MANUFACTURER OR ANY OTHER PERSON OR ENTITY WITHOUT PRIOR EXPRESS WRITTEN AUTHORIZATION BY RESOLVE HANDLING EQUIPMENT.				

DTP05-R500-LC-SP

SWL - 350kg



THIRD ANGLE PROJECTION

ALL DIMENSIONS IN mm U.O.S

DO NOT SCALE

RESPONSE HANDLING EQUIPMENT LTD
LEEDSTOWN, CORNWALL TR27 4DS
TEL: +44 1738 85 10 30 FAX: +44 1738 85 10 23
E-MAIL: SALES@STS-TROLLEYS.CO.UK
WWW: HTTP://WWW.STS-TROLLEYS.CO.UK

UNLESS OTHERWISE SPECIFIED THE FOLLOWING APPLY:
FABRICATED COMPONENTS DIMENSIONAL PRECISION

DECIMAL	METRIC	IMPERIAL	ANGLE	SIZE
0	±1.20mm	±0.05"	±0.50°	SIZE ≤ 1000MM
0	±0.25mm	±0.010"	±0.25°	SIZE > 1000MM
0	±2.5mm	±0.10"	±0.50°	SIZE > 1000MM
0.0	±1.5mm	±0.06"	±0.25°	SIZE > 1000MM

STANDARD SURFACE FINISH SA 630MM (RA 250MIN)
BREAK ALL SHARP CORNERS AND EDGES, R 0.30mm MAX

THIS DOCUMENT AND ALL THE INFORMATION CONTAINED HEREIN ARE CONFIDENTIAL AND EXCLUSIVE PROPERTY OF RESPONSE HANDLING EQUIPMENT LTD AND MAY NOT BE REPRODUCED, USED, DISCLOSED OR ANY OTHER MANNER IN ANY FORM OR BY ANY MEANS, WITHOUT THE WRITTEN PERMISSION OF RESPONSE HANDLING EQUIPMENT LTD.

RESPONSE HANDLING EQUIPMENT LTD ACCEPTS NO LIABILITY FOR ANY DAMAGE OR LOSS OF ANY KIND, INCLUDING BUT NOT LIMITED TO, DIRECT, INDIRECT, INCIDENTAL, CONSEQUENTIAL, OR PUNITIVE DAMAGES, ARISING FROM THE USE OR LOSS OF ANY INFORMATION OR DATA CONTAINED IN THIS DOCUMENT, EVEN IF ADVISED OF THE POSSIBILITY OF SUCH DAMAGE.

CATEGORY:	ASSEMBLY
MATERIAL SPEC:	
FINISH:	N/A
DESCRIPTION:	DTP05-R500-LC-SP, DEPALLETERISER WITH LOAD CELL, ASSEMBLY, 500MM RAM

SHEET NO:	2 OF 3	DRAWN BY:	JC
EST MASS:	473.46kg	CHECKED BY:	JS
SHEET SIZE:	A3	DATE CHK:	05/10/2021
PART NUMBER:	019093	REVISION:	C