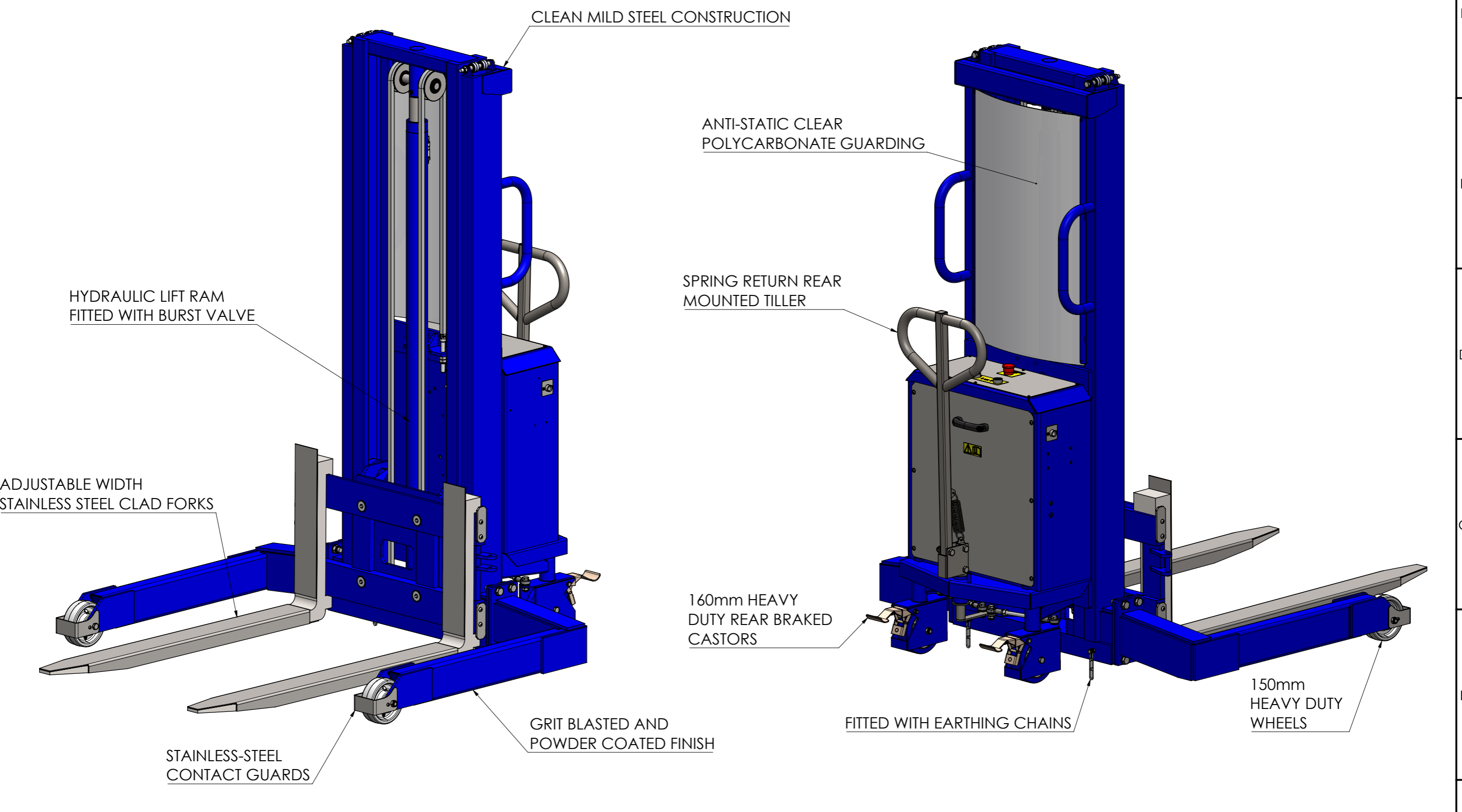


**STP08-FAC01-1200kg-Ex**

**SWL - 1200kg**



**Ex II 2 G D**  
**Ex h IIB T4 Gb**  
**Ex h IIIB T135°C Db**

THIRD ANGLE PROJECTION

ALL DIMENSIONS IN mm U.O.S  
DO NOT SCALE

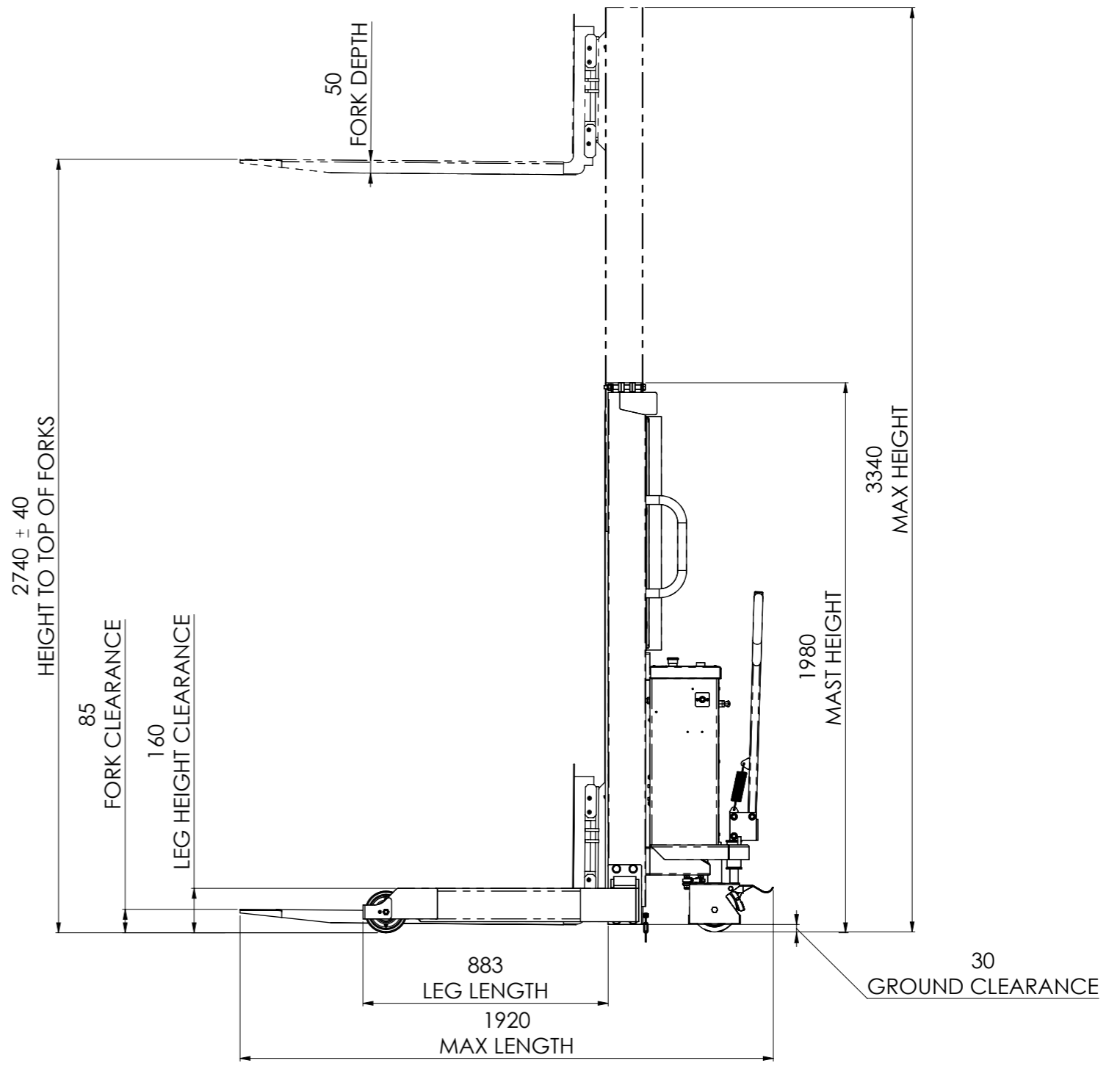
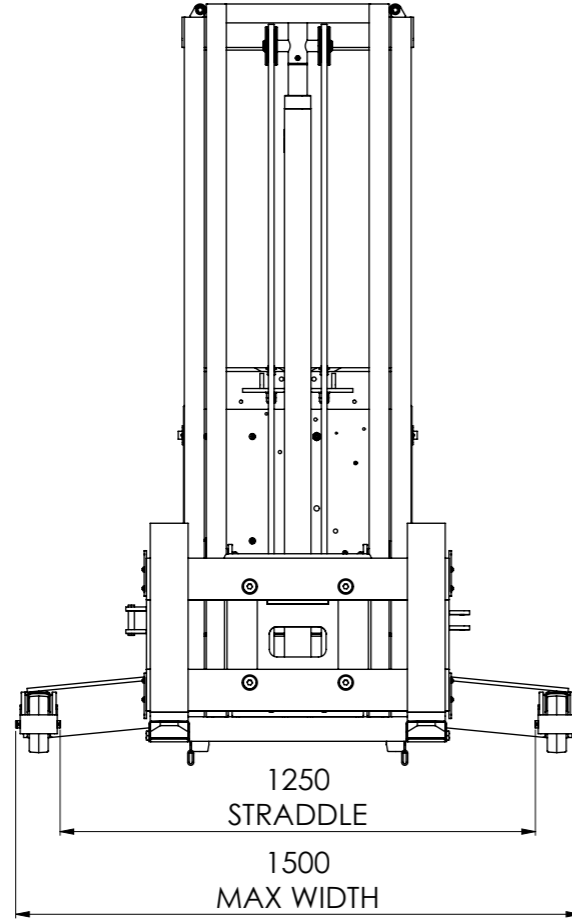
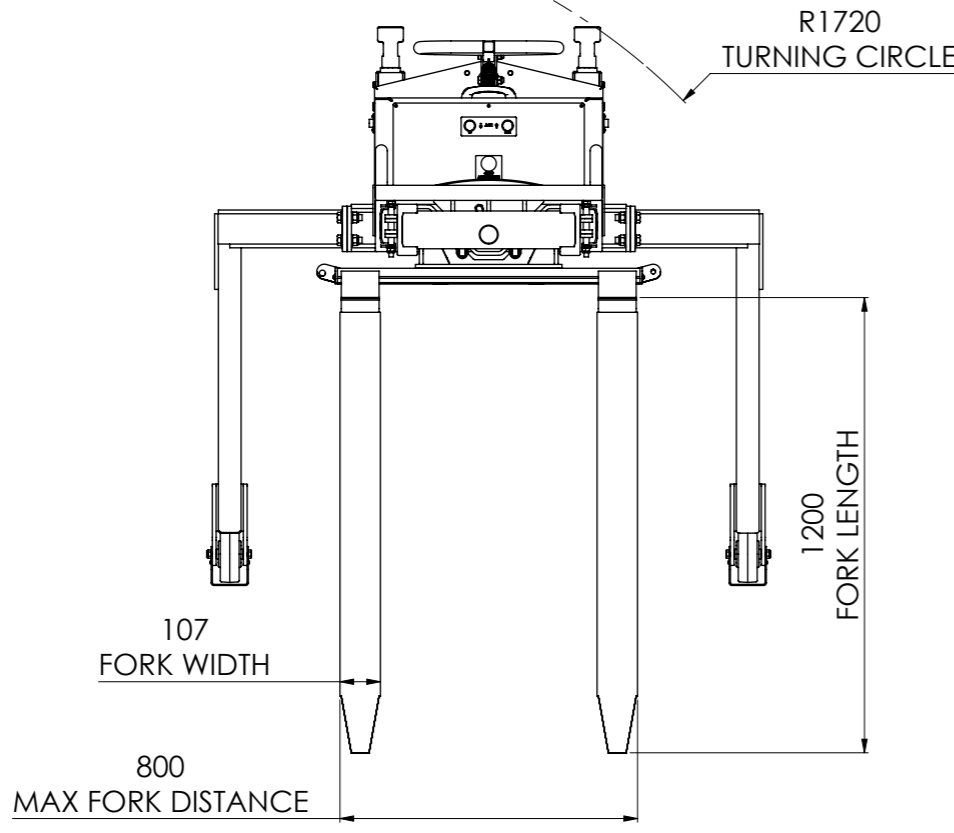
**STN**  
 BESPOKE HANDLING EQUIPMENT LTD  
 LEEDSTOWN, CORNWALL, TR27 6DS, UK  
 +44 (0)1736 851050  
 SALES@STIS-HANDLING.COM  
 WWW.STIS-HANDLING.COM

DESCRIPTION:  
 STP08-FAC01-1200KG-EX, ATEX RATED TELESCOPIC PNEUMATIC STACKER WITH STAINLESS STEEL CLAD ADJUSTABLE FORKS, 1200KG SWL

CUSTOMER APPROVAL:  
 NAME: .....  
 SIGNATURE: .....  
 DATE: .....

THIS DOCUMENT AND ALL THE INFORMATION CONTAINED HEREIN ARE CONFIDENTIAL AND EXCLUSIVE PROPERTY OF STS BESPOKE HANDLING EQUIPMENT AND MAY NOT BE REPRODUCED, USED, DISCLOSED OR MADE PUBLIC IN ANY MANNER PRIOR TO EXPRESS WRITTEN AUTHORIZATION BY STS BESPOKE HANDLING EQUIPMENT. THIS DOCUMENT IS ACCEPTED PURSUANT TO AGREEMENT TO THE FOREGOING, AND MUST BE RETURNED OR DESTROYED UPON DEMAND. MANUFACTURER AGREES THAT ARTICLES MADE IN ACCORDANCE WITH THIS DOCUMENT SHALL BE CONSIDERED STS BESPOKE HANDLING EQUIPMENT'S DESIGN AND THAT IDENTICAL ARTICLES OR PARTS THEREOF SHALL NOT BE MANUFACTURED FOR THE USE OR SALE BY THE MANUFACTURER OR ANY OTHER PERSON OR ENTITY WITHOUT PRIOR EXPRESS WRITTEN AUTHORIZATION BY STS BESPOKE HANDLING EQUIPMENT.

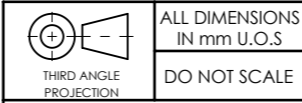
SHEET NO: 1 OF 3  
 DRAWN BY: JS  
 SHEET SIZE: A3  
 PART NUMBER: 018791



**Ex II 2 G D**

**Ex h IIB T4 Gb**

**Ex h IIIB T135°C Db**



ALL DIMENSIONS  
IN mm U.O.S

DO NOT SCALE

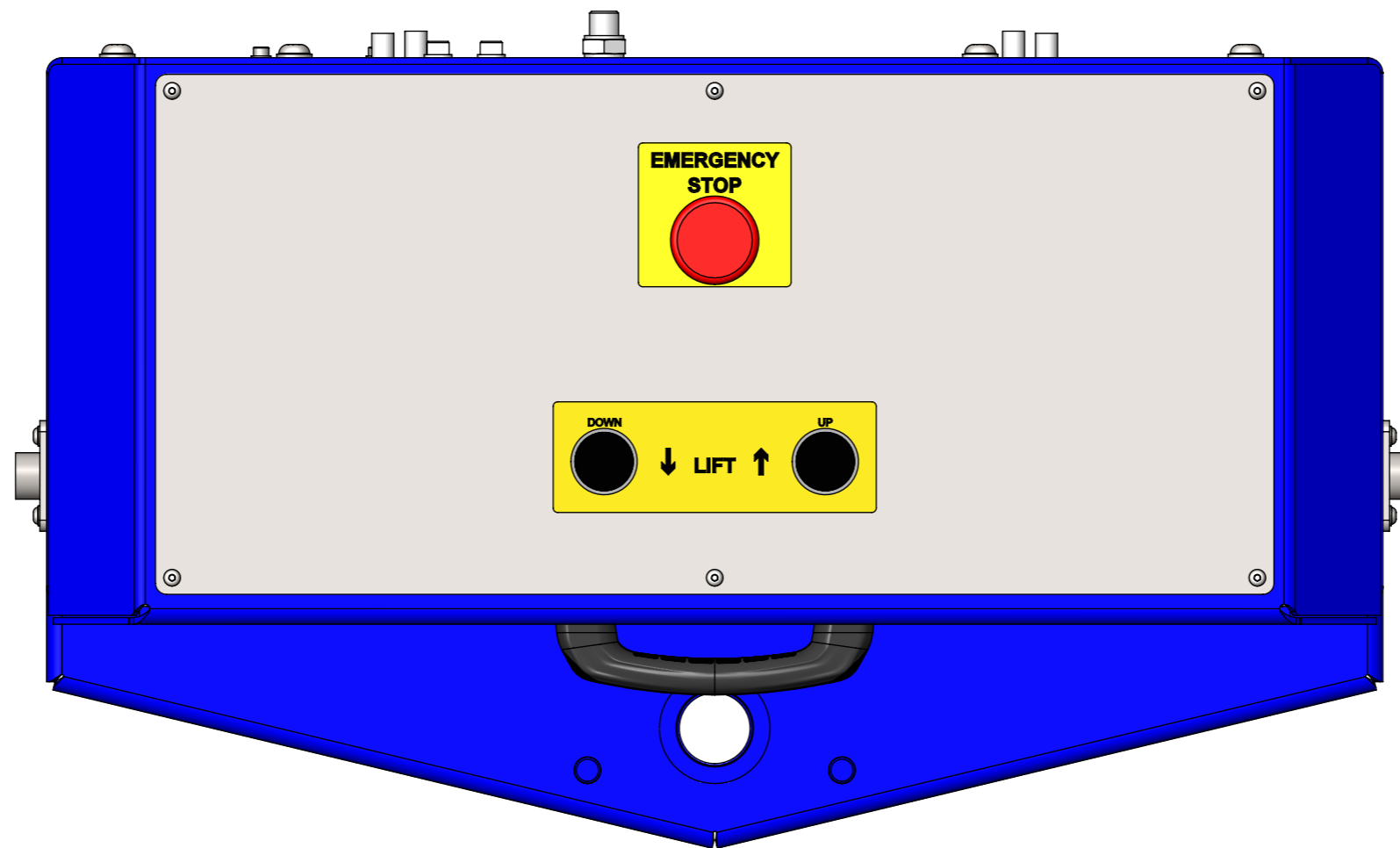


DESCRIPTION:  
STP08-FAC01-1200KG-EX, ATEX RATED TELESCOPIC PNEUMATIC  
STACKER WITH STAINLESS STEEL CLAD ADJUSTABLE FORKS, 1200KG SWL

CUSTOMER APPROVAL:  
NAME: .....  
SIGNATURE: .....  
DATE: .....

THIS DOCUMENT AND ALL THE INFORMATION CONTAINED HEREIN ARE CONFIDENTIAL AND EXCLUSIVE PROPERTY OF STS BESPOKE HANDLING EQUIPMENT AND MAY NOT BE REPRODUCED, USED, DISCLOSED OR MADE PUBLIC IN ANY MANNER PRIOR TO EXPRESS WRITTEN AUTHORIZATION BY STS BESPOKE HANDLING EQUIPMENT.  
THIS DOCUMENT IS ACCEPTED PURSUANT TO AGREEMENT TO THE FOREGOING, AND MUST BE RETURNED OR DESTROYED UPON DEMAND.  
MANUFACTURER AGREES THAT ARTICLES MADE IN ACCORDANCE WITH THIS DOCUMENT SHALL BE CONSIDERED STS BESPOKE HANDLING EQUIPMENT'S DESIGN AND THAT IDENTICAL ARTICLES OR PARTS THEREOF SHALL NOT BE MANUFACTURED FOR THE USE OR SALE BY THE MANUFACTURER OR ANY OTHER PERSON OR ENTITY WITHOUT PRIOR EXPRESS WRITTEN AUTHORIZATION BY STS BESPOKE HANDLING EQUIPMENT.

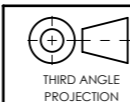
SHEET NO:	2 OF 3
DRAWN BY:	JS
SHEET SIZE:	A3
PART NUMBER:	018791



Ex II 2 G D

Ex h IIB T4 Gb

Ex h IIIB T135°C Db



THIRD ANGLE PROJECTION

ALL DIMENSIONS IN mm U.O.S  
DO NOT SCALE



BESPOKE HANDLING EQUIPMENT LTD  
LEEDSTOWN, CORNWALL, TR27 6DS, UK  
+44 (0)1736 851050  
SALES@STS-HANDLING.COM  
WWW.STS-HANDLING.COM

DESCRIPTION:  
STP08-FAC01-1200KG-EX, ATEX RATED TELESCOPIC PNEUMATIC STACKER WITH STAINLESS STEEL CLAD ADJUSTABLE FORKS, 1200KG SWL

CUSTOMER APPROVAL:  
NAME: .....  
SIGNATURE: .....  
DATE: .....

THIS DOCUMENT AND ALL THE INFORMATION CONTAINED HEREIN ARE CONFIDENTIAL AND EXCLUSIVE PROPERTY OF STS BESPOKE HANDLING EQUIPMENT AND MAY NOT BE REPRODUCED, USED, DISCLOSED OR MADE PUBLIC IN ANY MANNER PRIOR TO EXPRESS WRITTEN AUTHORIZATION BY STS BESPOKE HANDLING EQUIPMENT.  
THIS DOCUMENT IS ACCEPTED PURSUANT TO AGREEMENT TO THE FOREGOING, AND MUST BE RETURNED OR DESTROYED UPON DEMAND.  
MANUFACTURER AGREES THAT ARTICLES MADE IN ACCORDANCE WITH THIS DOCUMENT SHALL BE CONSIDERED STS BESPOKE HANDLING EQUIPMENT'S DESIGN AND THAT IDENTICAL ARTICLES OR PARTS THEREOF SHALL NOT BE MANUFACTURED FOR THE USE OR SALE BY THE MANUFACTURER OR ANY OTHER PERSON OR ENTITY WITHOUT PRIOR EXPRESS WRITTEN AUTHORIZATION BY STS BESPOKE HANDLING EQUIPMENT.

SHEET NO:	3 OF 3
DRAWN BY:	JS
SHEET SIZE:	A3
PART NUMBER:	018791