

**STP02-DRU01-EX**  
**SWL - 350KG**

2800MM PNEUMATICALLY  
 POWERED HYDRAULIC LIFT

CLEAN MILD STEEL  
 CONSTRUCTION WITH A  
 POWDER COATED FINISH

CLEAR ANTI-STATIC  
 POLYCARBONATE  
 GUARDING

RIM CLAMP DRUM  
 SECURING DEVICE

MANUAL GEARBOX  
 ROTATION

DRU01 STAINLESS STEEL  
 UNIVERSAL DRUM  
 ROTATOR BAND

160MM DIAMETER  
 ANTI-STATIC  
 FRONT WHEELS

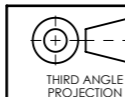
160MM DIAMETER  
 ANTI-STATIC REAR WHEELS  
 WITH PARK BRAKES

EARTHING CHAINS

**Ex II 2 G D**

**Ex cb IIB T4 Gb**

**Ex cb IIIB T135°C Db**



ALL DIMENSIONS  
 IN mm U.O.S  
 DO NOT SCALE



BESPOKE HANDLING EQUIPMENT LTD  
 LEEDSTOWN, CORNWALL, TR27 6DS  
 TEL: +44 1736 85 10 50 FAX: +44 1736 85 10 23  
 E-MAIL: SALES@STS-TROLLEYS.CO.UK  
 WWW: HTTPS://WWW.STS-TROLLEYS.CO.UK

CUSTOMER APPROVAL:  
 NAME: .....  
 SIGNATURE: .....  
 DATE: .....

THIS DOCUMENT AND ALL THE INFORMATION CONTAINED HEREIN ARE CONFIDENTIAL AND EXCLUSIVE PROPERTY OF STS BESPOKE HANDLING EQUIPMENT AND MAY NOT BE REPRODUCED, USED, DISCLOSED OR MADE PUBLIC IN ANY MANNER PRIOR TO EXPRESS WRITTEN AUTHORIZATION BY STS BESPOKE HANDLING EQUIPMENT. THIS DOCUMENT IS ACCEPTED PURSUANT TO AGREEMENT TO THE FOREGOING, AND MUST BE RETURNED OR DESTROYED UPON DEMAND. MANUFACTURER AGREES THAT ARTICLES MADE IN ACCORDANCE WITH THIS DOCUMENT SHALL BE CONSIDERED STS BESPOKE HANDLING EQUIPMENT'S DESIGN AND THAT IDENTICAL ARTICLES OR PARTS THEREOF SHALL NOT BE MANUFACTURED FOR THE USE OR SALE BY THE MANUFACTURER OR ANY OTHER PERSON OR ENTITY WITHOUT PRIOR EXPRESS WRITTEN AUTHORIZATION BY STS BESPOKE HANDLING EQUIPMENT.

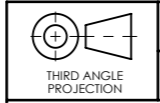
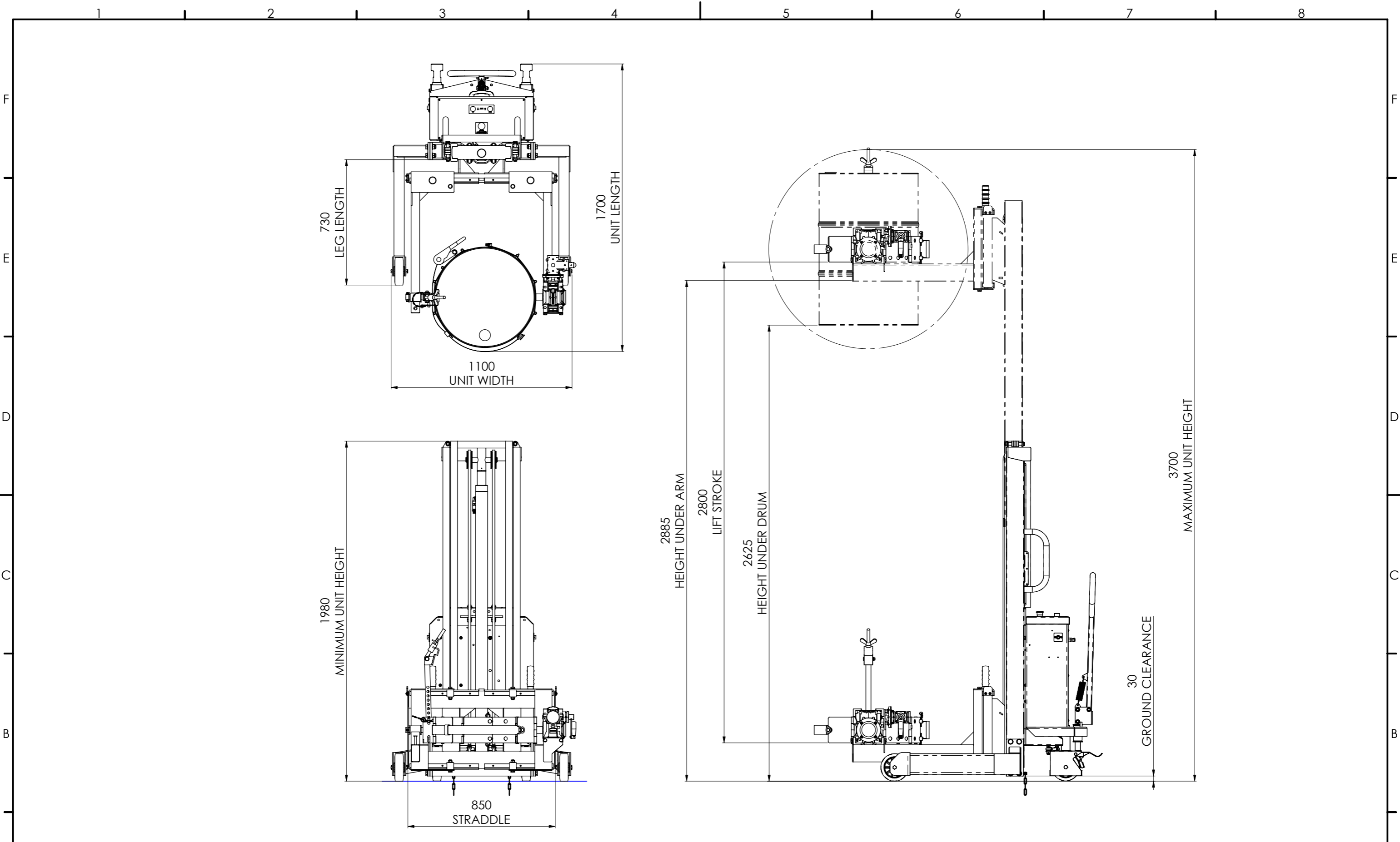
CATEGORY: ASSEMBLY  
 MATERIAL SPEC:  
 FINISH: N/A

DESCRIPTION: STP02-DRU01-EX, ATEX RATED PNEUMATIC TELESCOPIC STACKER WITH A MANUAL ROTATION UNIVERSAL DRUM CLAMP BAND, 350KG SWL

SHEET NO: 1 OF 4  
 EST MASS: 740.09kg  
 SHEET SIZE: A3

PART NUMBER: 014580

DRAWN BY: -  
 CHECKED BY:  
 DATE CHK:  
 REVISION: C



ALL DIMENSIONS IN mm U.O.S  
DO NOT SCALE



CUSTOMER APPROVAL:  
NAME: .....  
SIGNATURE: .....  
DATE: .....

THIS DOCUMENT AND ALL THE INFORMATION CONTAINED HEREIN ARE CONFIDENTIAL AND EXCLUSIVE PROPERTY OF STS BESPOKE HANDLING EQUIPMENT AND MAY NOT BE REPRODUCED, USED, DISCLOSED OR MADE PUBLIC IN ANY MANNER PRIOR TO EXPRESS WRITTEN AUTHORIZATION BY STS BESPOKE HANDLING EQUIPMENT.  
THIS DOCUMENT IS ACCEPTED PURSUANT TO AGREEMENT TO THE FOREGOING, AND MUST BE RETURNED OR DESTROYED UPON DEMAND.  
MANUFACTURER AGREES THAT ARTICLES MADE IN ACCORDANCE WITH THIS DOCUMENT SHALL BE CONSIDERED STS BESPOKE HANDLING EQUIPMENT'S DESIGN AND THAT IDENTICAL ARTICLES OR PARTS THEREOF SHALL NOT BE MANUFACTURED FOR THE USE OR SALE BY THE MANUFACTURER OR ANY OTHER PERSON OR ENTITY WITHOUT PRIOR EXPRESS WRITTEN AUTHORIZATION BY STS BESPOKE HANDLING EQUIPMENT.

CATEGORY: ASSEMBLY

MATERIAL SPEC:

FINISH: N/A

DESCRIPTION: STP02-DRU01-EX, ATEX RATED PNEUMATIC TELESCOPIC STACKER WITH A MANUAL ROTATION UNIVERSAL DRUM CLAMP BAND, 350KG SWL

SHEET NO: 2 OF 4

EST MASS: 740.09kg

SHEET SIZE: A3

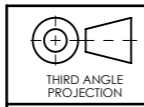
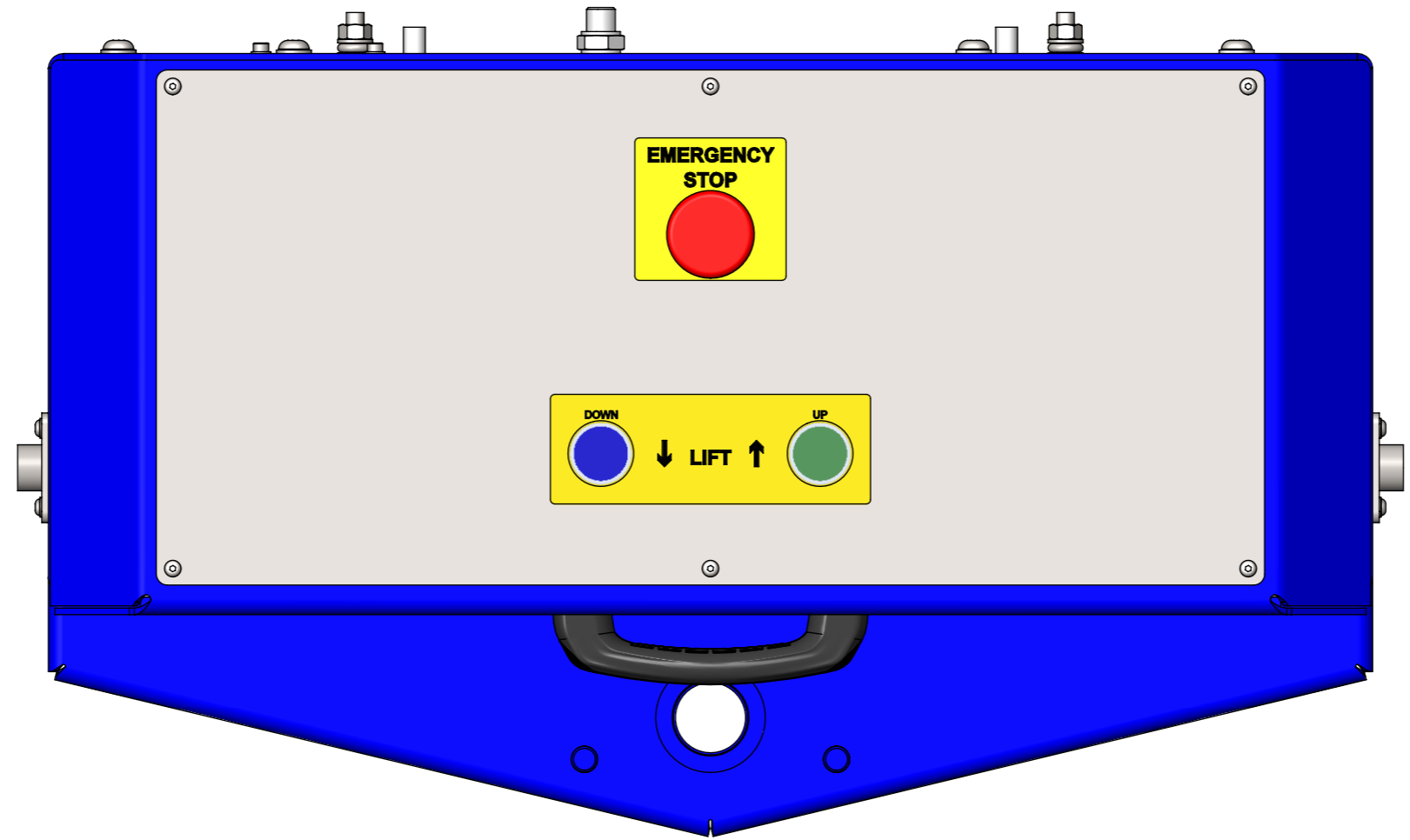
PART NUMBER: 014580

DRAWN BY: -

CHECKED BY:

DATE CHK:

REVISION: C



ALL DIMENSIONS  
IN mm U.O.S  
DO NOT SCALE



BESPOKE HANDLING EQUIPMENT LTD  
LEEDSTOWN, CORNWALL, TR27 6DS  
TEL: +44 1736 85 10 50 FAX: +44 1736 85 10 23  
E-MAIL: SALES@STS-TROLLEYS.CO.UK  
WWW: HTTPS://WWW.STS-TROLLEYS.CO.UK

CUSTOMER APPROVAL:  
NAME: .....  
SIGNATURE: .....  
DATE: .....

THIS DOCUMENT AND ALL THE INFORMATION CONTAINED HEREIN ARE CONFIDENTIAL AND EXCLUSIVE PROPERTY OF STS BESPOKE HANDLING EQUIPMENT AND MAY NOT BE REPRODUCED, USED, DISCLOSED OR MADE PUBLIC IN ANY MANNER PRIOR TO EXPRESS WRITTEN AUTHORIZATION BY STS BESPOKE HANDLING EQUIPMENT.  
THIS DOCUMENT IS ACCEPTED PURSUANT TO AGREEMENT TO THE FOREGOING, AND MUST BE RETURNED OR DESTROYED UPON DEMAND.  
MANUFACTURER AGREES THAT ARTICLES MADE IN ACCORDANCE WITH THIS DOCUMENT SHALL BE CONSIDERED STS BESPOKE HANDLING EQUIPMENT'S DESIGN AND THAT IDENTICAL ARTICLES OR PARTS THEREOF SHALL NOT BE MANUFACTURED FOR THE USE OR SALE BY THE MANUFACTURER OR ANY OTHER PERSON OR ENTITY WITHOUT PRIOR EXPRESS WRITTEN AUTHORIZATION BY STS BESPOKE HANDLING EQUIPMENT.

CATEGORY: ASSEMBLY

MATERIAL SPEC:

FINISH: N/A

DESCRIPTION: STP02-DRU01-EX, ATEX RATED PNEUMATIC TELESCOPIC STACKER WITH A MANUAL ROTATION UNIVERSAL DRUM CLAMP BAND, 350KG SWL

SHEET NO: 3 OF 4

EST MASS: 740.09kg

SHEET SIZE: A3

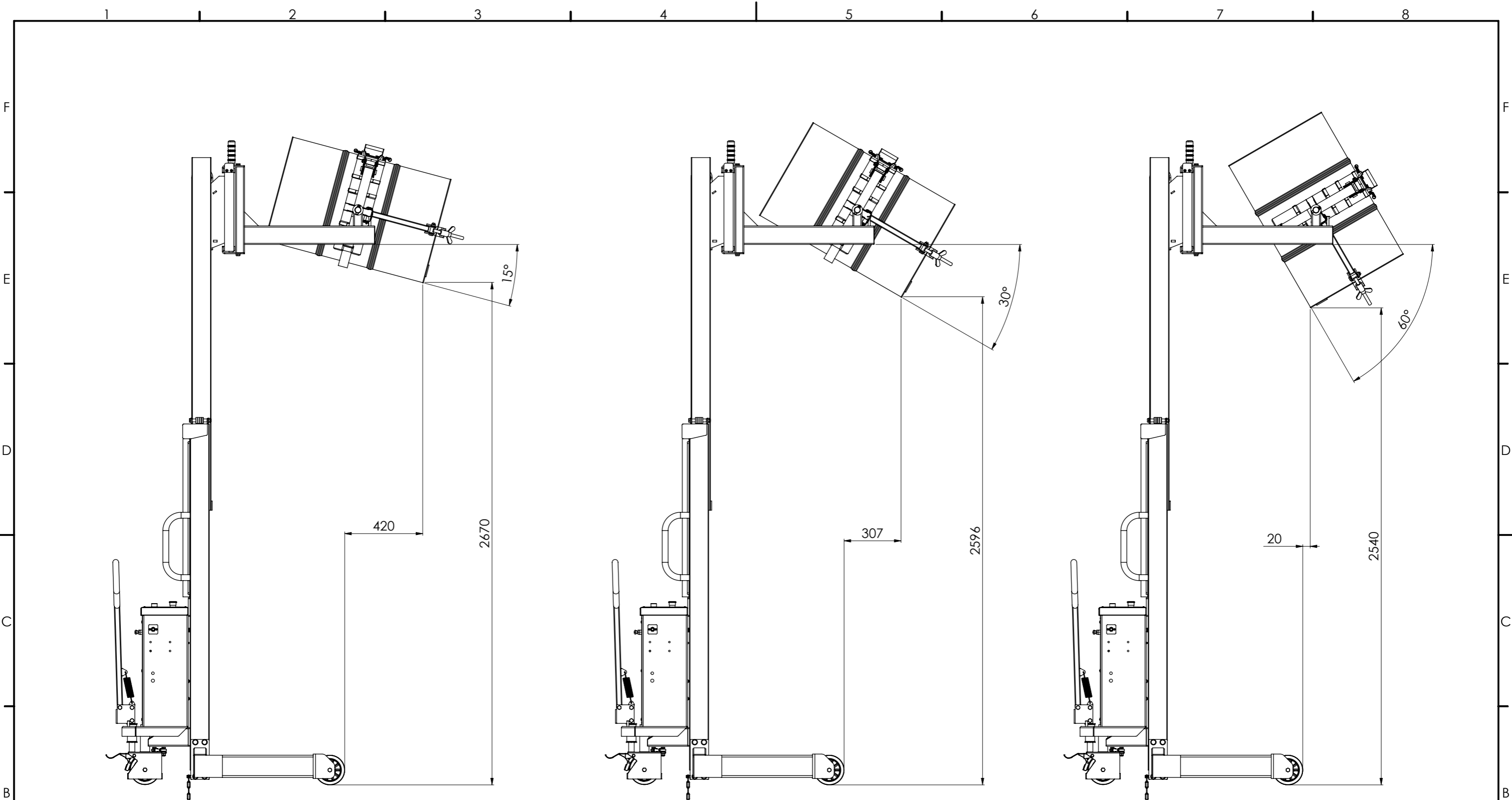
PART NUMBER: 014580

DRAWN BY: -

CHECKED BY:

DATE CHK:

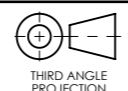

REVISION: C



TIP OF 15°

TIP OF 30°

TIP OF 60°

 THIRD ANGLE PROJECTION	ALL DIMENSIONS IN mm U.O.S DO NOT SCALE	CUSTOMER APPROVAL: NAME: ..... SIGNATURE: ..... DATE: .....	CATEGORY: ASSEMBLY MATERIAL SPEC: FINISH: N/A	SHEET NO: 4 OF 4 EST MASS: 740.09kg SHEET SIZE: A3 PART NUMBER: 014580	DRAWN BY: - CHECKED BY: DATE CHK: REVISION: C
	 BESPOKE HANDLING EQUIPMENT LTD LEEDSTOWN, CORNWALL, TR27 6DS TEL: +44 1736 85 10 50 FAX: +44 1736 85 10 23 E-MAIL: SALES@STS-TROLLEYS.CO.UK WWW: HTTPS://WWW.STS-TROLLEYS.CO.UK	<small>THIS DOCUMENT AND ALL THE INFORMATION CONTAINED HEREIN ARE CONFIDENTIAL AND EXCLUSIVE PROPERTY OF STS BESPOKE HANDLING EQUIPMENT AND MAY NOT BE REPRODUCED, USED, DISCLOSED OR MADE PUBLIC IN ANY MANNER PRIOR TO EXPRESS WRITTEN AUTHORIZATION BY STS BESPOKE HANDLING EQUIPMENT. THIS DOCUMENT IS ACCEPTED PURSUANT TO AGREEMENT TO THE FOREGOING, AND MUST BE RETURNED OR DESTROYED UPON DEMAND. MANUFACTURER AGREES THAT ARTICLES MADE IN ACCORDANCE WITH THIS DOCUMENT SHALL BE CONSIDERED STS BESPOKE HANDLING EQUIPMENT'S DESIGN AND THAT IDENTICAL ARTICLES OR PARTS THEREOF SHALL NOT BE MANUFACTURED FOR THE USE OR SALE BY THE MANUFACTURER OR ANY OTHER PERSON OR ENTITY WITHOUT PRIOR EXPRESS WRITTEN AUTHORIZATION BY STS BESPOKE HANDLING EQUIPMENT.</small>	DESCRIPTION: STP02-DRU01-EX, ATEX RATED PNEUMATIC TELESCOPIC STACKER WITH A MANUAL ROTATION UNIVERSAL DRUM CLAMP BAND, 350KG SWL	REVISION: 01 AUTHOR: JC AUTHORISER: NV	PRINTED ON: 09/08/2022