

**STE02-DRU01**  
**SWL - 350KG**

2800MM ELECTRIC  
HYDRAULIC LIFT

CLEAN MILD STEEL  
CONSTRUCTION

CLEAR  
POLYCARBONATE  
GUARDING

RIM CLAMP DRUM  
SECURING DEVICE

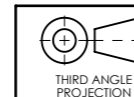
STAINLESS STEEL HEAD

HANDLE OPERATE

DRU01 UNIVERSAL DRUM  
BAND ROTATOR BAND

160MM DIAMETER  
FRONT WHEELS

160MM DIAMETER  
REAR WHEELS  
WITH PARK BRAKES



ALL DIMENSIONS  
IN mm U.O.S  
DO NOT SCALE



BESPOKE HANDLING EQUIPMENT LTD  
LEEDSTOWN, CORNWALL, TR27 6DS  
TEL: +44 1736 85 10 50 FAX: +44 1736 85 10 23  
E-MAIL: SALES@STS-TROLLEYS.CO.UK  
WWW: HTTPS://WWW.STS-TROLLEYS.CO.UK

CUSTOMER APPROVAL:  
NAME: .....  
SIGNATURE: .....  
DATE: .....

THIS DOCUMENT AND ALL THE INFORMATION CONTAINED HEREIN ARE CONFIDENTIAL AND EXCLUSIVE PROPERTY OF STS BESPOKE HANDLING EQUIPMENT AND MAY NOT BE REPRODUCED, USED, DISCLOSED OR MADE PUBLIC IN ANY MANNER PRIOR TO EXPRESS WRITTEN AUTHORIZATION BY STS BESPOKE HANDLING EQUIPMENT.  
THIS DOCUMENT IS ACCEPTED PURSUANT TO AGREEMENT TO THE FOREGOING, AND MUST BE RETURNED OR DESTROYED UPON DEMAND.  
MANUFACTURER AGREES THAT ARTICLES MADE IN ACCORDANCE WITH THIS DOCUMENT SHALL BE CONSIDERED STS BESPOKE HANDLING EQUIPMENT'S DESIGN AND THAT IDENTICAL ARTICLES OR PARTS THEREOF SHALL NOT BE MANUFACTURED FOR THE USE OR SALE BY THE MANUFACTURER OR ANY OTHER PERSON OR ENTITY WITHOUT PRIOR EXPRESS WRITTEN AUTHORIZATION BY STS BESPOKE HANDLING EQUIPMENT.

CATEGORY: ASSEMBLY

MATERIAL SPEC:

FINISH: N/A

DESCRIPTION: STE02-DRU01, TELESCOPIC ELECTRIC STACKER WITH UNIVERSAL DRUM ROTATOR BAND

SHEET NO: 1 OF 4

EST MASS: 766.38kg

SHEET SIZE: A3

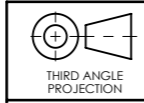
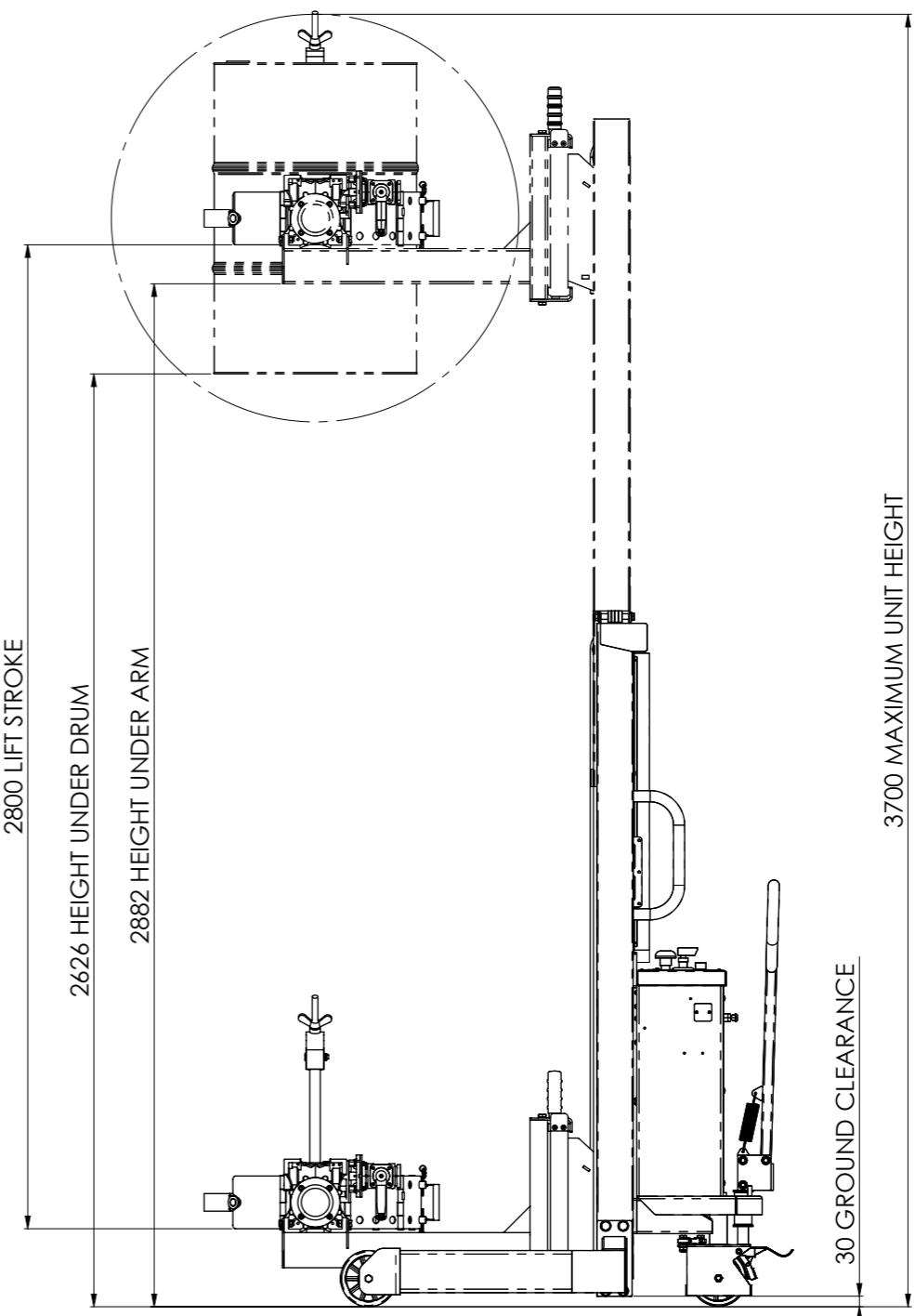
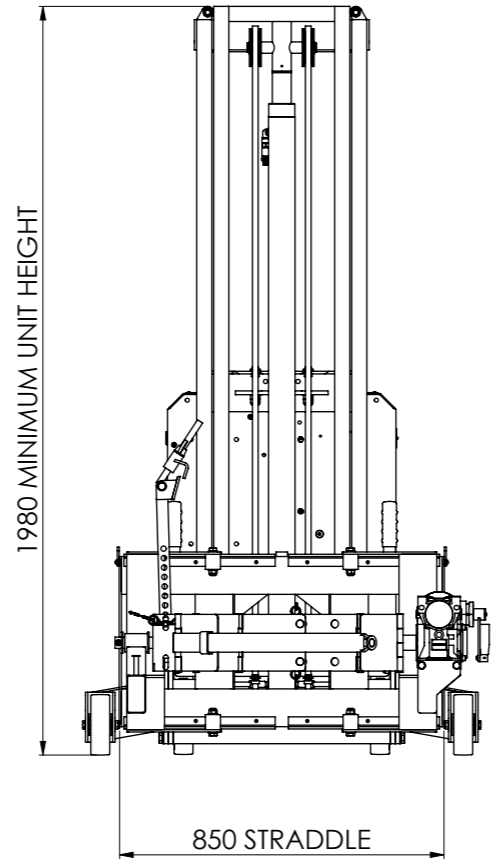
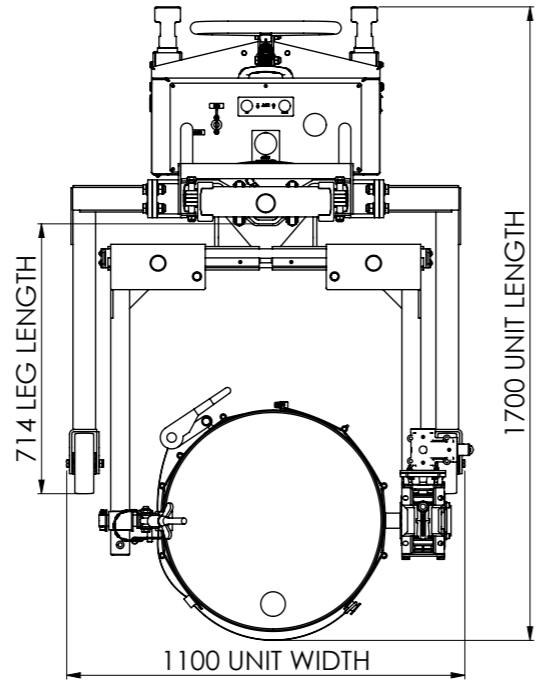
PART NUMBER: 003866

DRAWN BY: JC

CHECKED BY: JC

DATE CHK: 16/12/2021

REVISION: C



ALL DIMENSIONS IN mm U.O.S  
DO NOT SCALE



CUSTOMER APPROVAL:  
NAME: .....  
SIGNATURE: .....  
DATE: .....

THIS DOCUMENT AND ALL THE INFORMATION CONTAINED HEREIN ARE CONFIDENTIAL AND EXCLUSIVE PROPERTY OF STS BESPOKE HANDLING EQUIPMENT AND MAY NOT BE REPRODUCED, USED, DISCLOSED OR MADE PUBLIC IN ANY MANNER PRIOR TO EXPRESS WRITTEN AUTHORIZATION BY STS BESPOKE HANDLING EQUIPMENT.  
THIS DOCUMENT IS ACCEPTED PURSUANT TO AGREEMENT TO THE FOREGOING, AND MUST BE RETURNED OR DESTROYED UPON DEMAND.  
MANUFACTURER AGREES THAT ARTICLES MADE IN ACCORDANCE WITH THIS DOCUMENT SHALL BE CONSIDERED STS BESPOKE HANDLING EQUIPMENT'S DESIGN AND THAT IDENTICAL ARTICLES OR PARTS THEREOF SHALL NOT BE MANUFACTURED FOR THE USE OR SALE BY THE MANUFACTURER OR ANY OTHER PERSON OR ENTITY WITHOUT PRIOR EXPRESS WRITTEN AUTHORIZATION BY STS BESPOKE HANDLING EQUIPMENT.

CATEGORY: ASSEMBLY

MATERIAL SPEC:

FINISH: N/A

DESCRIPTION: STE02-DRU01, TELESCOPIC ELECTRIC STACKER WITH UNIVERSAL DRUM ROTATOR BAND

SHEET NO: 2 OF 4

EST MASS: 766.38kg

SHEET SIZE: A3

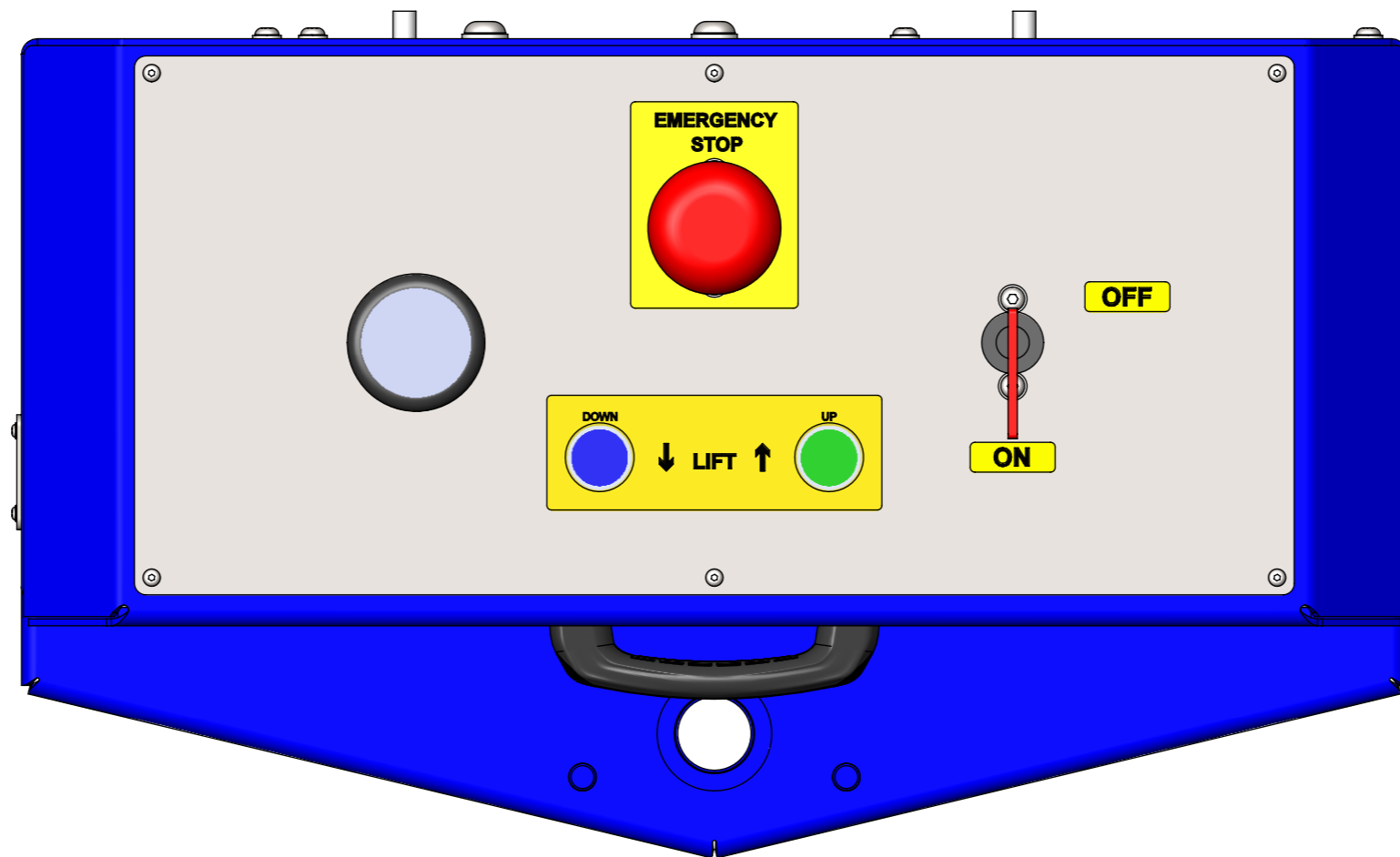
PART NUMBER: 003866

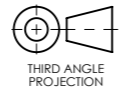

DRAWN BY: JC

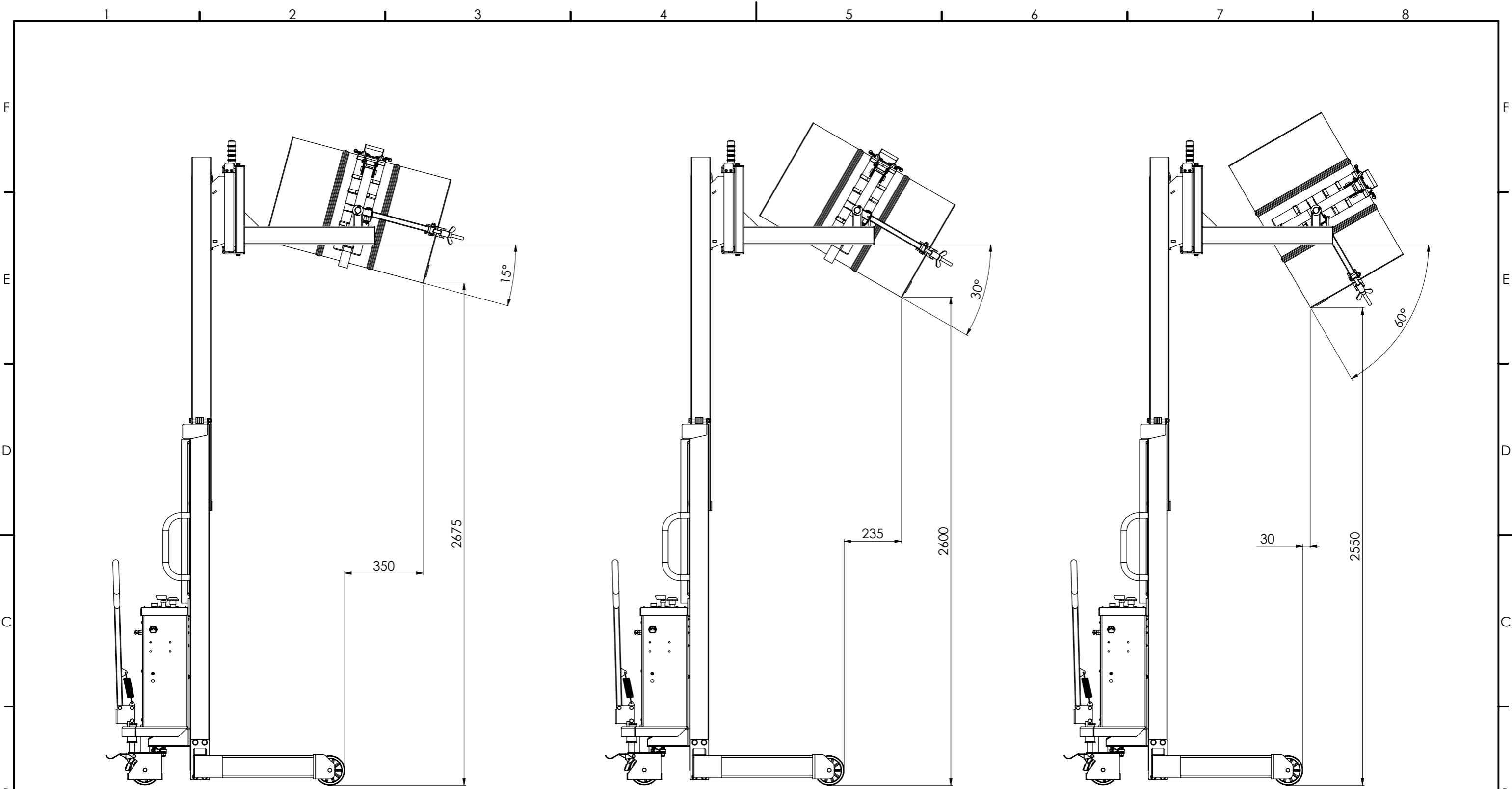
CHECKED BY: JC

DATE CHK: 16/12/2021

REVISION: C



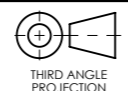

|   |   |  |  |   |   |
|---|---|--|--|---|---|
| <br>THIRD ANGLE<br>PROJECTION | ALL DIMENSIONS<br>IN mm U.O.S<br>DO NOT SCALE   | CUSTOMER APPROVAL:<br>NAME: .....<br>SIGNATURE: .....<br>DATE: ..... | CATEGORY: ASSEMBLY<br>MATERIAL SPEC:<br>FINISH: N/A<br>DESCRIPTION: STE02-DRU01, TELESCOPIC ELECTRIC STACKER WITH UNIVERSAL DRUM ROTATOR BAND  | SHEET NO: 3 OF 4<br>EST MASS: 766.38kg<br>SHEET SIZE: A3<br>PART NUMBER: 003866 | DRAWN BY: JC<br>CHECKED BY: JC<br>DATE CHK: 16/12/2021<br>REVISION: C |
|   | <br>BESPOKE HANDLING EQUIPMENT LTD<br>LEEDSTOWN, CORNWALL, TR27 6DS<br>TEL: +44 1736 85 10 50 FAX: +44 1736 85 10 23<br>E-MAIL: SALES@STS-TROLLEYS.CO.UK<br>WWW: HTTPS://WWW.STS-TROLLEYS.CO.UK |  | <small>THIS DOCUMENT AND ALL THE INFORMATION CONTAINED HEREIN ARE CONFIDENTIAL AND EXCLUSIVE PROPERTY OF STS BESPOKE HANDLING EQUIPMENT AND MAY NOT BE REPRODUCED, USED, DISCLOSED OR MADE PUBLIC IN ANY MANNER PRIOR TO EXPRESS WRITTEN AUTHORIZATION BY STS BESPOKE HANDLING EQUIPMENT. THIS DOCUMENT IS ACCEPTED PURSUANT TO AGREEMENT TO THE FOREGOING, AND MUST BE RETURNED OR DESTROYED UPON DEMAND. MANUFACTURER AGREES THAT ARTICLES MADE IN ACCORDANCE WITH THIS DOCUMENT SHALL BE CONSIDERED STS BESPOKE HANDLING EQUIPMENT'S DESIGN AND THAT IDENTICAL ARTICLES OR PARTS THEREOF SHALL NOT BE MANUFACTURED FOR THE USE OR SALE BY THE MANUFACTURER OR ANY OTHER PERSON OR ENTITY WITHOUT PRIOR EXPRESS WRITTEN AUTHORIZATION BY STS BESPOKE HANDLING EQUIPMENT.</small> | REVISION: 01   AUTHOR: JC   AUTHORISER: NV   8   PRINTED ON: 13/02/2023         |   |



TIP OF 15°

TIP OF 30°

TIP OF 60°

|  |   |  |   |  |   |
|--|---|--|---|--|---|
| <br>THIRD ANGLE PROJECTION | ALL DIMENSIONS IN mm U.O.S<br>DO NOT SCALE  | CUSTOMER APPROVAL:<br>NAME: .....<br>SIGNATURE: .....<br>DATE: ..... | CATEGORY: ASSEMBLY<br>MATERIAL SPEC:<br>FINISH: N/A   | SHEET NO: 4 OF 4<br>EST MASS: 766.38kg<br>SHEET SIZE: A3<br>PART NUMBER: 003866        | DRAWN BY: JC<br>CHECKED BY: JC<br>DATE CHK: 16/12/2021<br>REVISION: C |
|  | <br>BESPOKE HANDLING EQUIPMENT LTD<br>LEEDSTOWN, CORNWALL, TR27 6DS<br>TEL: +44 1736 85 10 50 FAX: +44 1736 85 10 23<br>E-MAIL: SALES@STS-TROLLEYS.CO.UK<br>WWW: HTTPS://WWW.STS-TROLLEYS.CO.UK |  | THIS DOCUMENT AND ALL THE INFORMATION CONTAINED HEREIN ARE CONFIDENTIAL AND EXCLUSIVE PROPERTY OF STS BESPOKE HANDLING EQUIPMENT AND MAY NOT BE REPRODUCED, USED, DISCLOSED OR MADE PUBLIC IN ANY MANNER PRIOR TO EXPRESS WRITTEN AUTHORIZATION BY STS BESPOKE HANDLING EQUIPMENT.<br>THIS DOCUMENT IS ACCEPTED PURSUANT TO AGREEMENT TO THE FOREGOING, AND MUST BE RETURNED OR DESTROYED UPON DEMAND.<br>MANUFACTURER AGREES THAT ARTICLES MADE IN ACCORDANCE WITH THIS DOCUMENT SHALL BE CONSIDERED STS BESPOKE HANDLING EQUIPMENT'S DESIGN AND THAT IDENTICAL ARTICLES OR PARTS THEREOF SHALL NOT BE MANUFACTURED FOR THE USE OR SALE BY THE MANUFACTURER OR ANY OTHER PERSON OR ENTITY WITHOUT PRIOR EXPRESS WRITTEN AUTHORIZATION BY STS BESPOKE HANDLING EQUIPMENT. | DESCRIPTION: STE02-DRU01, TELESCOPIC ELECTRIC STACKER WITH UNIVERSAL DRUM ROTATOR BAND | REVISION: 01 AUTHOR: JC AUTHORISER: NV 8 PRINTED ON: 13/02/2023       |